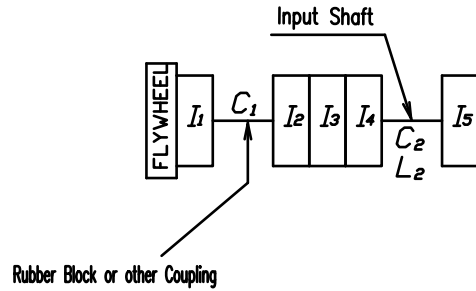
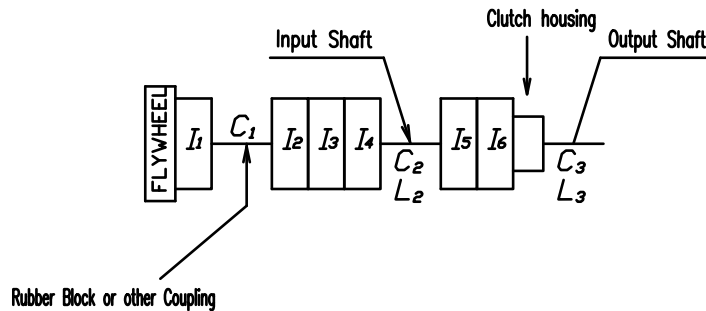


Neutral



Operating



Coupling Type	Rubber Block Coupling			
	STANDARD PULLEY	SAE#1-14"	SAE#2-11.5"	
OPTION 1 I_1 I_2 I_3 Coupling I_4	Dummy Plate I_{xx}	0.1339	—	—
	Driving ring I_{xx}	0.3010	0.5536	0.3010
	I_1	0.4349	0.5536	0.3010
	Spider I_2	0.1044	0.1044	0.1044
	Input pulley I_3	0.0605	—	—
	Input coupling I_4	0.0133	0.0133	0.0133
	C_1	2.06	—	—

Part	OUTPUT SHAFT TYPE		
	DPO210P	DPO210S	
I_5 Disc Plate	Disc Plate I_5	0.008	—
I_6 Clutch Housing Assy	Cliff Piston+Plate I_{xx}	0.1074	—
	Sinterd I_{xx}	0.0102	—
Input Shaft	I_6	0.1176	—
	L_2	3.318	—
	d_0	74.9	—
Output Shaft	C_2	2.9561	—
	L_3	3.032	10.505
	d_0	81	—
	C_3	3.2345	0.9336

REMARK

- I_{xx} =Moment of inertia [kg.m²]
- d_0 =MIN, Shaft DIA. [mm]
- L =Equivalent length(Calculated as shaft DIA. of 187.2mm [mm])
- Stiffness Unit (C_n) [MNm/rad]

SYM.	DESCRIPTION	POSITION	REVISION	DATE	REV'D	APP'D

MATERIAL				TYPE		DPO 210		ORIGINAL DWG. NO.	
DATE 2017.06.28		SCALE		NAME		MASS ELASTIC SYSTEM			
APPROVED BY		CHECKED BY		DRAWN		DESIGNED		DWG. NO. T 2 1 0 0 0 -2	
Kim J. Kim		IB.SHIN						REV. 000	
D-I IND CO., LTD.				SIZE		A		CODE ID. NO.	