

MARINE TRANSMISSION

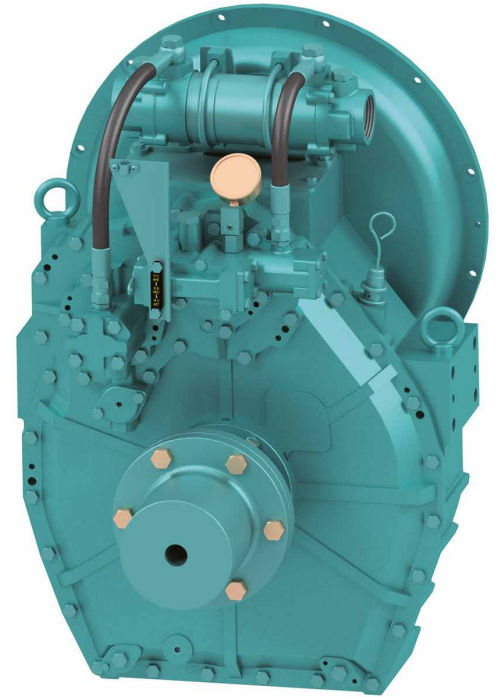
DMT135HL

■ Standard Scope Of Supply

- Bell Housing (SAE 1, 2, 3)
- Dual Stage Coupling(14" 11.5")
- Propeller Coupling, Reamer Bolt
- Manual Control Valve
- Oil Cooler
- Cable Bracket

■ Options

- Manual Trolling Valve
- Electronic Control Valve(12V,24V)
- Manual Trolling Valve + Electronic Control Valve(12V,24V)
- Mounting Bracket (Flat type, L type)

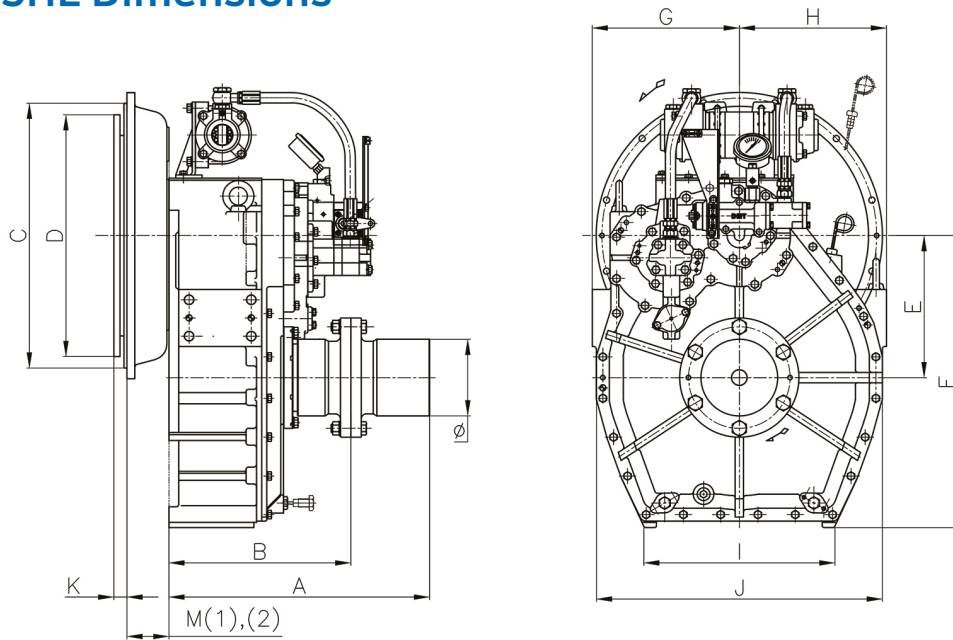


Model	Ratio	Max Input Torque		Capacity/RPM		Capacity/1800RPM		Max Input (RPM)	Bell Housing (SAE)	DRY WEIGHT (kg)
		(kgf.m)	(N.m)	kW	HP	kW	HP			
DMT135HL	4.07	131	1288	0.134	0.180	241	325	2800	1, 2, 3	269
	4.50	125	1229	0.128	0.172	231	310	2800		
	4.95	115	1128	0.117	0.157	213	285	2800		

※ The dry weight is the weight that excludes bell housing, coupling (rubber block, dual stage, Centa flexible) and propeller coupling from the standard scope of supply.

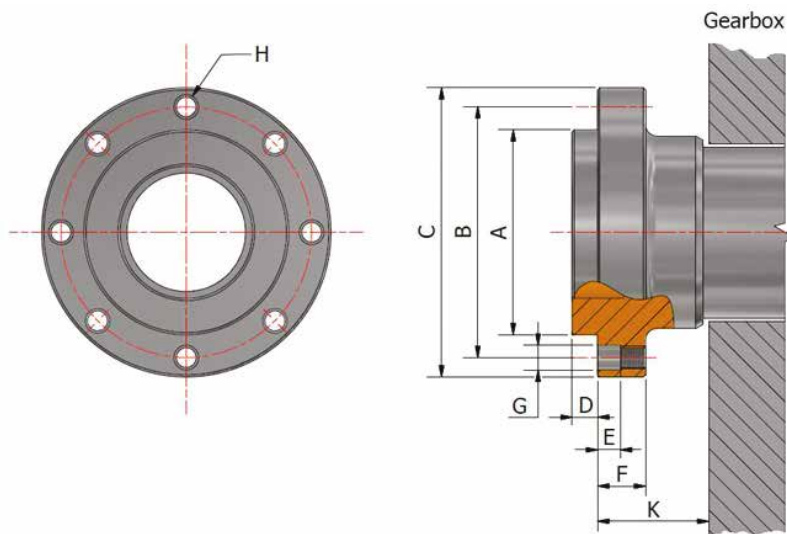
※ The capacity for classification may differ from the capacity on the table, please contact our sales team.

DMT135HL Dimensions



A	B	E	F	G	H	I	J	Ø
503	351	274	563	284	284	370	552	148

Bell Housing Standard	Driving Ring	C	D	M(1)	M(2)	K
SAE #1	14"	511	466	81	-	25
SAE #2	11.5"	447	352	44	-	39
SAE #3	11.5"	409	352	44	-	39



A	B	C	D	E	F	G	H	K
Ø75 0 -0.02	Ø100	Ø118	5	10	20	Ø10.9	6-M10 P1.25	35.2