

MARINE TRANSMISSION

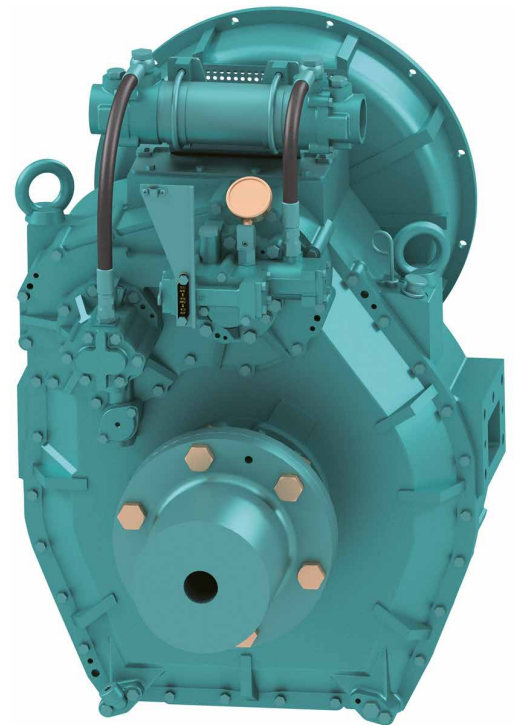
DMT260HL

Standard Scope Of Supply

- Bell Housing (SAE 0, 1)
- Centa Flexible Coupling (18", 14")
- Propeller Coupling, Reamer Bolt
- Manual Control Valve
- Oil Cooler
- Cable Bracket

Options

- Manual Trolling Valve
- Electronic Control Valve(12V,24V)
- Manual Trolling Valve + Electronic Control Valve(12V,24V)
- Mounting Bracket (Flat type, L type)

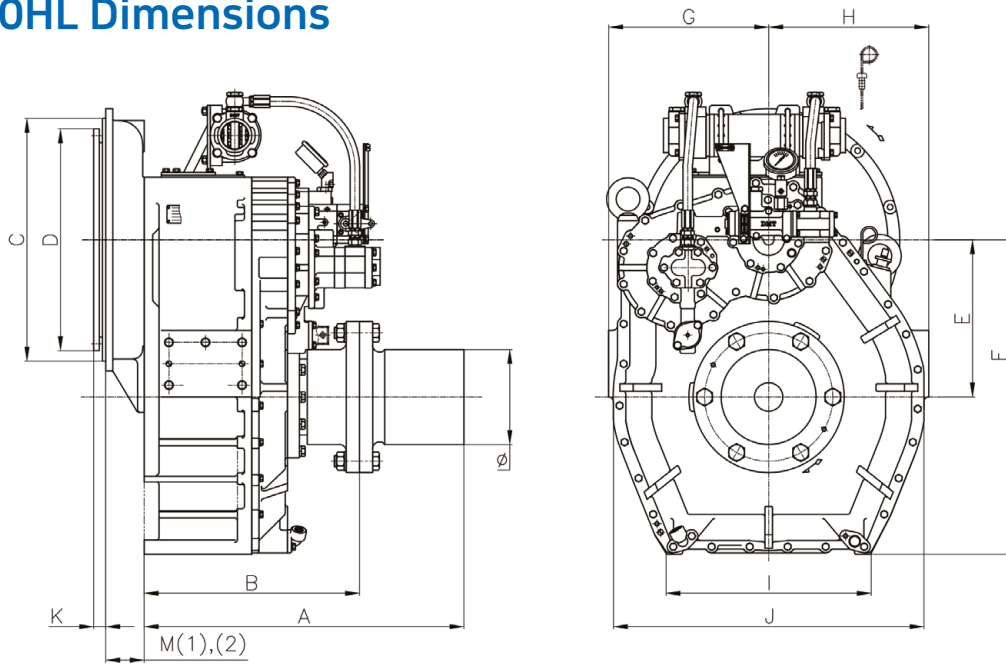


Model	Ratio	Max Input Torque		Capacity/RPM		Capacity/1800RPM		Max Input (RPM)	Bell Housing (SAE)	DRY WEIGHT (kg)
		(kgf.m)	(N.m)	kW	HP	kW	HP			
DMT260HL	3.53, 4.08, 4.52	258	2530	0.264	0.354	476	639	2500	0, 1	512
	5.04	239	2344	0.245	0.328	441	592	2500		

※ The dry weight is the weight that excludes bell housing, coupling (rubber block, dual stage, Centa flexible) and propeller coupling from the standard scope of supply.

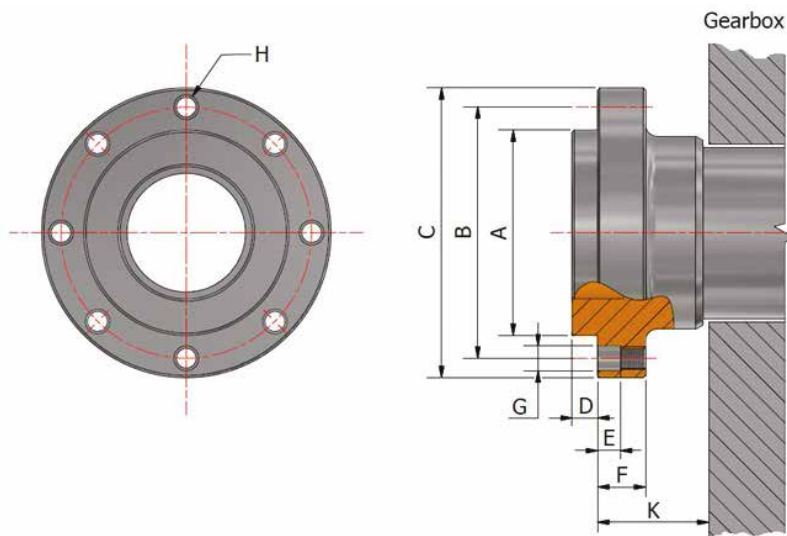
※ The capacity for classification may differ from the capacity on the table, please contact our sales team.

DMT260HL Dimensions



A	B	E	F	G	H	I	J	Ø
673	453	331	662	337	337	432	654	200

Bell Housing Standard	Driving Ring	C	D	M(1)	M(2)	K
SAE#0	18"	647	571	-	130	15
SAE#0	14"	647	466	-	130	25
SAE#1	14"	511	466	-	122	25



A	B	C	D	E	F	G	H	K
Ø50 ⁰ _{-0.02}	Ø70	Ø88	5	8	16	Ø8.9	6-M8 P1.25	23.8