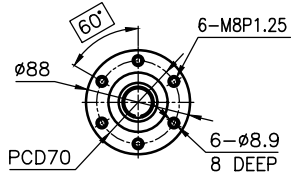
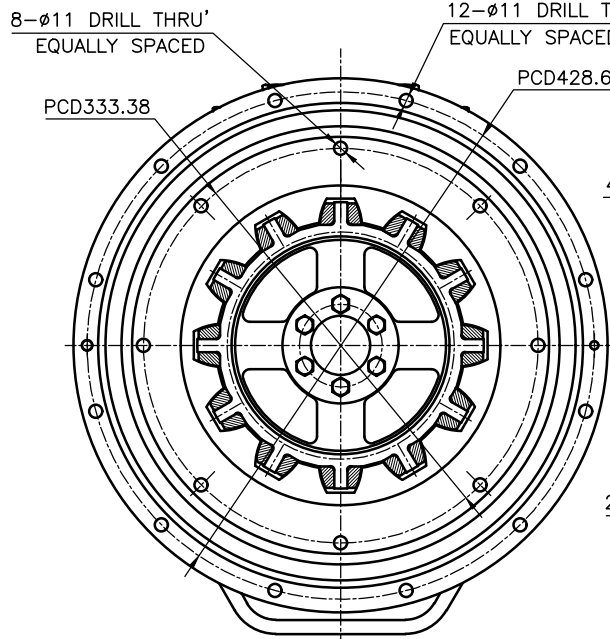


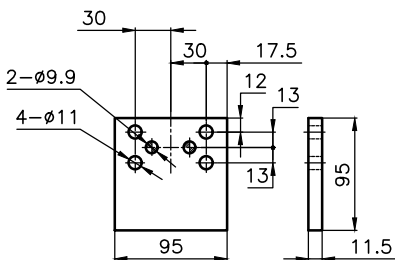
OUTPUT SHAFT COUPLING & PROPELLER COUPLING DIMENSION



INPUT COUPLING DIMENSION

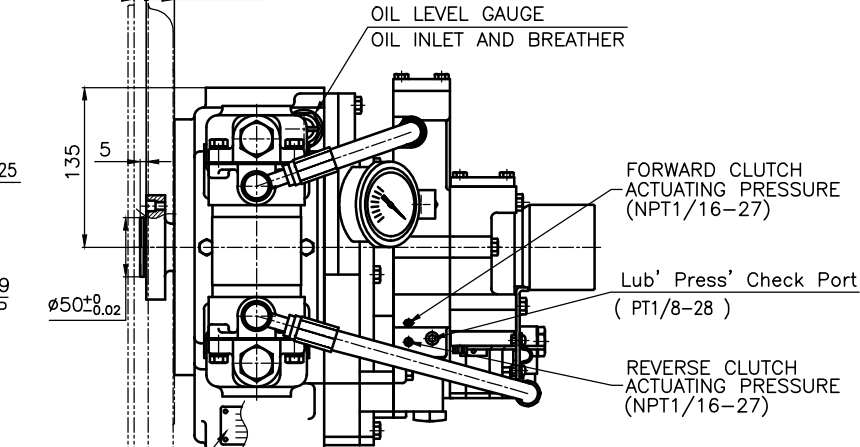


- REMARK
- 1.HOUSING: SAE#3
 - 2.DRIVING RING: SAE 11.5"
 - 3.COUPLING TYPE : RUBBER

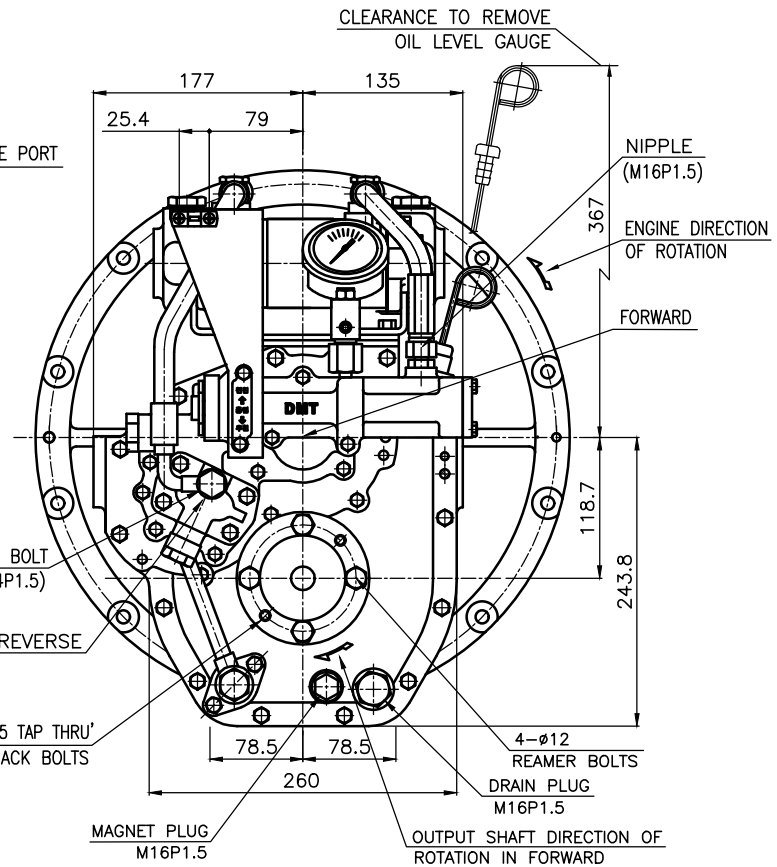
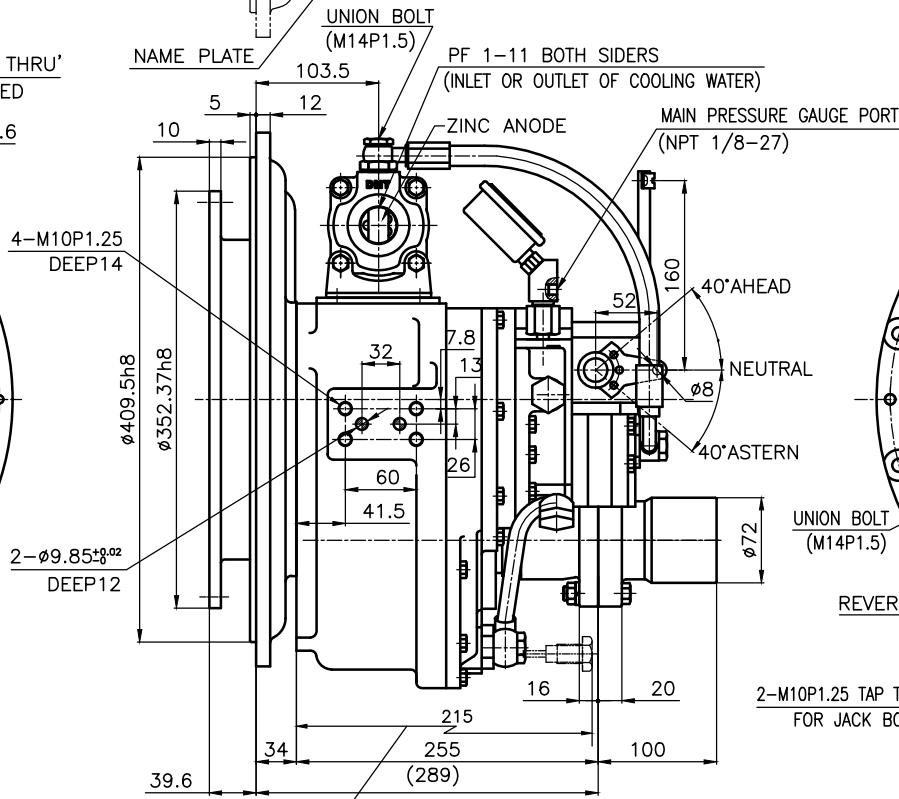


BRACKET DIMENSION

(10.2) 34 23.8



DMT 25AL MARINE TRANSMISSION SPECIFICATION			
GEAR RATIO	1.64, 2.07, 2.52, 2.96, 3.32		
TOTAL WEIGHT	APPROX. 77 Kg(DRY)		
OIL CAPACITY	APPROX. 2L		
OIL VISCOSITY	SAE # 30		
OIL PRESSURE	1.96 ~ 2.35 MPa	CLUTCH OIL	
DIRECTION OF ROTATION	INPUT	C.C.W VIEWED FROM THE STERN	
	OUTPUT	C.W VIEWED FROM THE STERN	
OIL CHANGE INTERVAL	THE FIRST 100HOURS OF INITIAL OPERATION AND EVERY 1000HOURS THEREAFTER		
SHIFTING LIMIT	UNDER 50% OF THE RATED ENGINE SPEED		
OIL COOLER	WATER FLOW 20 ~ 40 L/m		TEMPERATURE OF COOLING WATER MAX 32°C
	OPERATING TORQUE OF SHIFTING LEVER UNDER 2.94Nm		



CLEARANCE TO REMOVE MAGNET PLUG

公差表 TOLERANCE ON				REV. NO.		PART NO.		PART NAME		数量 QTY	材料 MATERIAL	规格 SIZE	备注 REMARKS
分数 FRACTIONS	小数 DECIMALS	角度 ANGLES	公差 TOL.	次数 DATE	比例 SCALE	姓名 NAME	类型 TYPE	DWT25AL		ORIGINAL DWG. NO.			
±	±	±	±	2018.09.12	N/S	JK.Kim	DMT 25AL	MARINE TRANSMISSION		025000LA~E-3115RC			
1 公差 4 微米 ±0.3	±0.1	±0.05	±0.05	批准 APPROVED BY	检查 CHECKED BY	设计 DESIGNED	名称 NAME	MARINE TRANSMISSION		000			
4 16 ±0.5	±0.2	±0.07	±0.1	批准 APPROVED BY	检查 CHECKED BY	设计 DESIGNED	名称 NAME	MARINE TRANSMISSION		000			
16 63 ±0.7	±0.3	±0.1	±0.1	JK.Kim TH.Cha GH.Park		DWG. NO.		025000LA~E-3115RC		000			
63 250 ±1.2	±0.5	±0.2	±0.2	D-I INDUSTRIAL		DWG. NO.		025000LA~E-3115RC		000			
250 1000 ±2.0	±0.8	±0.3	±0.3	D-I INDUSTRIAL		DWG. NO.		025000LA~E-3115RC		000			