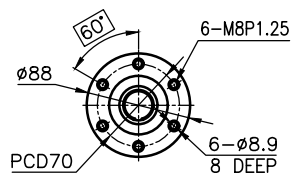
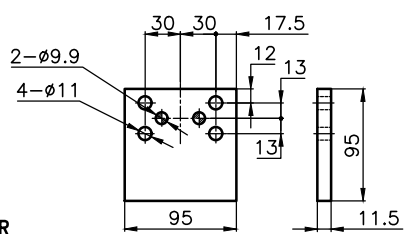
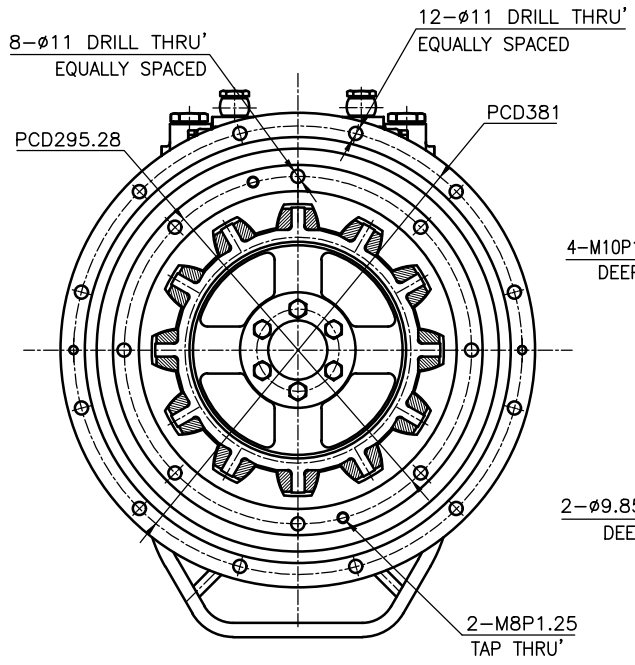


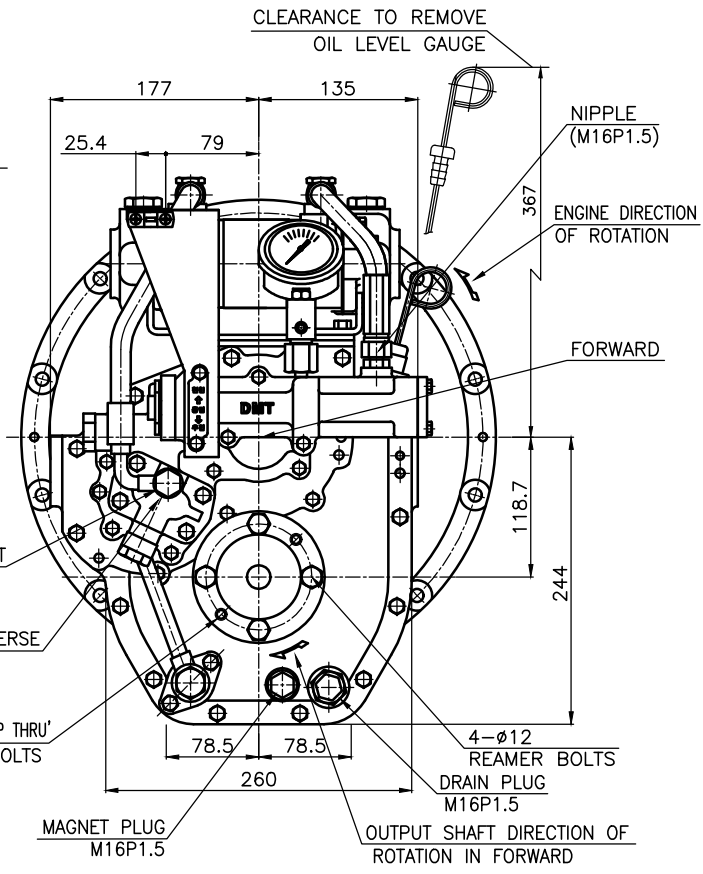
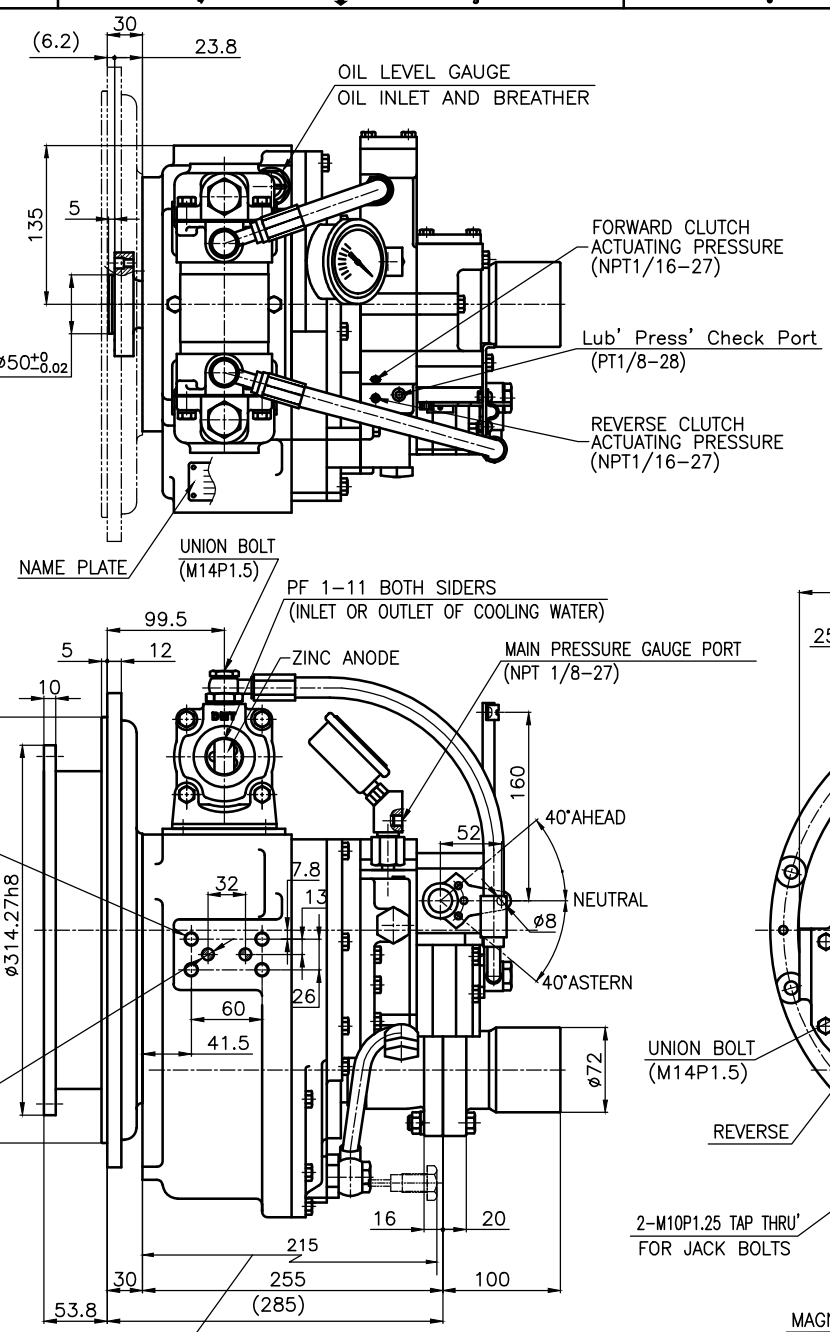
OUTPUT SHAFT COUPLING & PROPELLER COUPLING DIMENSION



INPUT COUPLING DIMENSION



BRACKET DIMENSION



DMT 25AL MARINE TRANSMISSION SPECIFICATION			
GEAR RATIO	1.64, 2.07, 2.52, 2.96, 3.32		
TOTAL WEIGHT	APPROX. 77 Kg(DRY)		
OIL CAPACITY	APPROX. 2L		
OIL VISCOSITY	SAE # 30		
OIL PRESSURE	1.96 ~ 2.35 MPa	CLUTCH OIL	
DIRECTION OF ROTATION IN FORWARD	INPUT	C.C.W VIEWED FROM THE STERN	
	OUTPUT	C.W VIEWED FROM THE STERN	
OIL CHANGE INTERVAL	THE FIRST 100HOURS OF INITIAL OPERATION AND EVERY 1000HOURS THEREAFTER		
SHIFTING LIMIT	UNDER 50% OF THE RATED ENGINE SPEED		
OIL COOLER	WATER FLOW 20 ~ 40 L/m	TEMPERATURE OF COOLING WATER MAX 32°C	
OPERATING TORQUE OF SHIFTING LEVER	UNDER 2.94Nm		

- REMARK
- 1.HOUSING: SAE#4
 - 2.DRIVING RING: SAE 10"
 - 3.COUPLING TYPE : RUBBER

공용공차 TOLERANCE ON				PART NO.		PART NAME		QTY		MATERIAL		SIZE		REMARKS	
분수	소수	각도	공차	번호	명	명	수량	재질	규격	비고					
FRACTIONS	DECIMALS	ANGLES	TOLERANCE	NO.	NAME	NAME	QTY	MATERIAL	SIZE	REMARKS					
±	±	±	±												
검사 기준 1호 4미하 ±0.3 ±0.1 ±0.05 2호 4미하 ±0.5 ±0.2 ±0.07 3호 4미하 ±0.7 ±0.3 ±0.1 4호 4미하 ±1.2 ±0.5 ±0.2 5호 4미하 ±2.0 ±0.8 ±0.3				DATE 2018.09.12 SCALE N/S		TYPE DMT25AL ORIGINAL DWG. NO.		NAME MARINE TRANSMISSION		DWG. NO. 025000LA~E-410RC REV. 000					
APPROVED BY JK.Kim CHECKED BY TH.Cha DRAWN GH.Park DESIGNED				SIZE A3		CODE ID. NO.									

