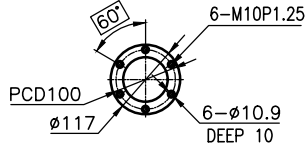
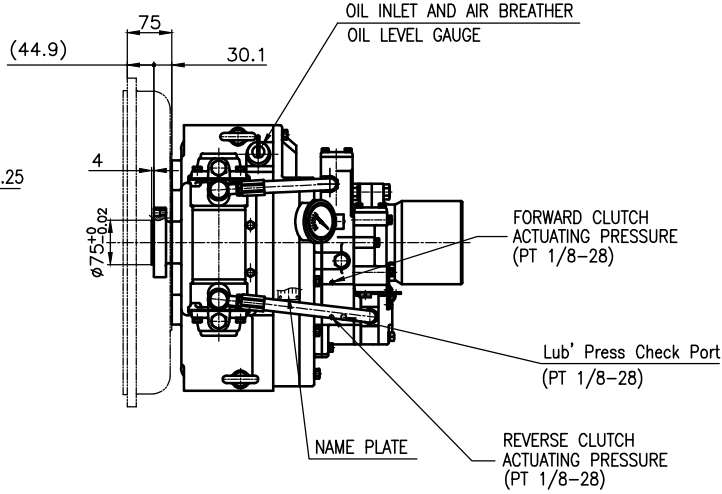


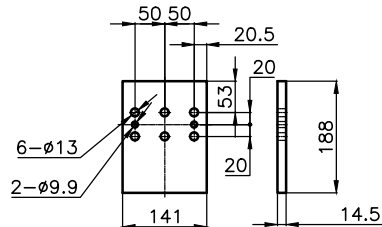
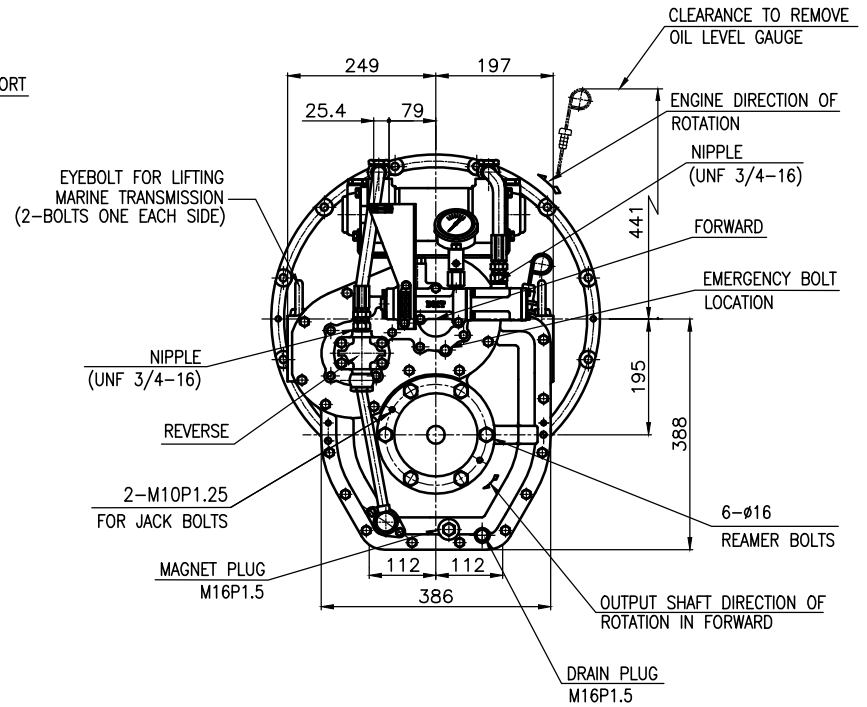
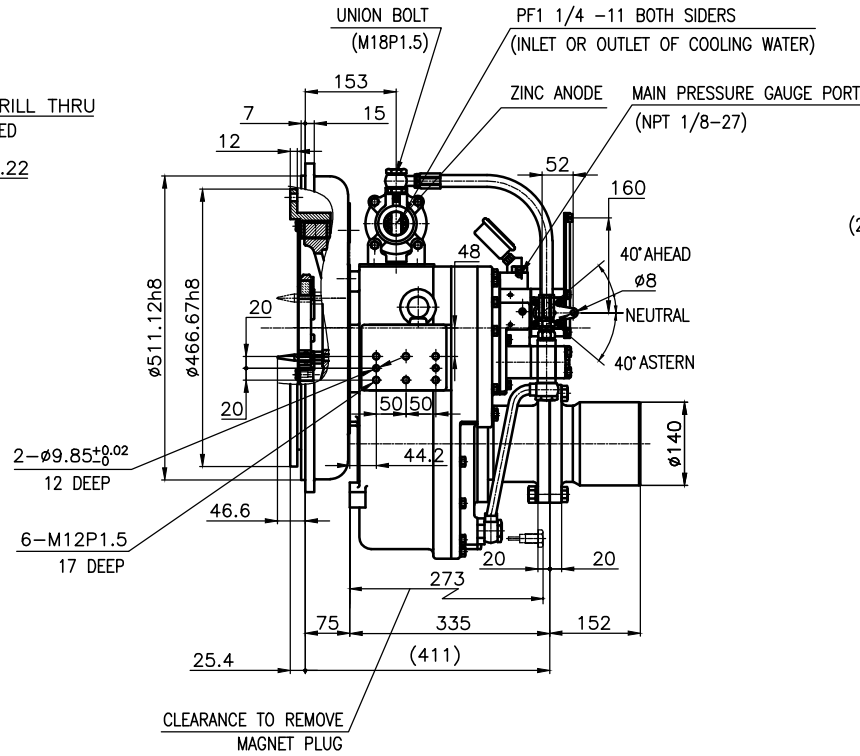
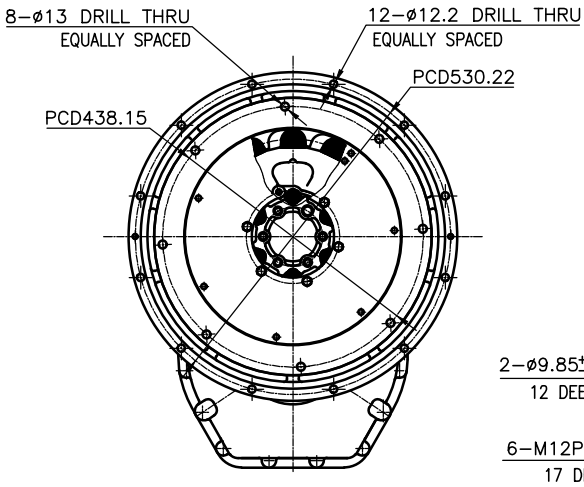
OUTPUT SHAFT COUPLING & PROPELLER COUPLING DIMENSION



INPUT COUPLING DIMENSION



DMT 110A MARINE TRANSMISSION SPECIFICATION			
GEAR RATIO	1.77	2.09	2.42 2.82 3.19 3.81
TOTAL WEIGHT	APPROX. 212 kg(DRY)		
OIL CAPACITY	APPROX. 4 L		
OIL VISCOSITY	SAE # 30		
OIL PRESSURE	1.96 ~ 2.54 MPa		CLUTCH OIL
DIRECTION OF ROTATION IN FORWARD	INPUT	C.C.W VIEWED FROM THE STERN	
	OUTPUT	C.W VIEWED FROM THE STERN	
OIL CHANGE INTERVAL	THE FIRST 100HOURS OF INITIAL OPERATION AND EVERY 1000HOURS THEREAFTER		
SHIFTING LIMIT	UNDER 50% OF THE RATED ENGINE SPEED		
OIL COOLER	WATER FLOW 40 ~ 60L/min		TEMPERATURE OF COOLING WATER
			MAX 32°C
OPERATING TORQUE OF SHIFTING LEVER	UNDER 2.94Nm		



BRACKET DIMENSION

- REMARK (HOT)
- 1.HOUSING: SAE#1
  - 2.DRIVING RING: SAE 14"
  - 3.COUPLING TYPE : DUAL STAGE
  - 4.APPLICATION ENGINE : STANDARD

TOLERANCE ON		PART NO.		PART NAME		Q'TY		MATERIAL		SIZE		REMARKS			
분수	소수	각도	분수	소수	각도	분수	소수	각도	분수	소수	각도	분수	소수		
FRACTIONS	DECIMALS	ANGLES	FRACTIONS	DECIMALS	ANGLES	FRACTIONS	DECIMALS	ANGLES	FRACTIONS	DECIMALS	ANGLES	FRACTIONS	DECIMALS		
±	±	±	±	±	±	±	±	±	±	±	±	±	±		
MATERIAL						DATE		SCALE		TYPE					
						2018.09.12		N/S		DMT110A					
APPROVED BY						CHECKED BY		DRAWN		DESIGNED					
JK.Kim						TH.Cha		GH.Park		MARINE TRANSMISSION					
DWG. NO.						11000GA~E-114DCH						REVISION			
REV. NO.						000									
D-I INDUSTRIAL												SIZE	A8	코드 번호	CODE ID. NO.