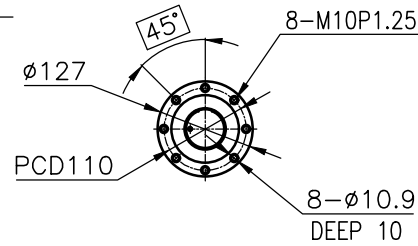
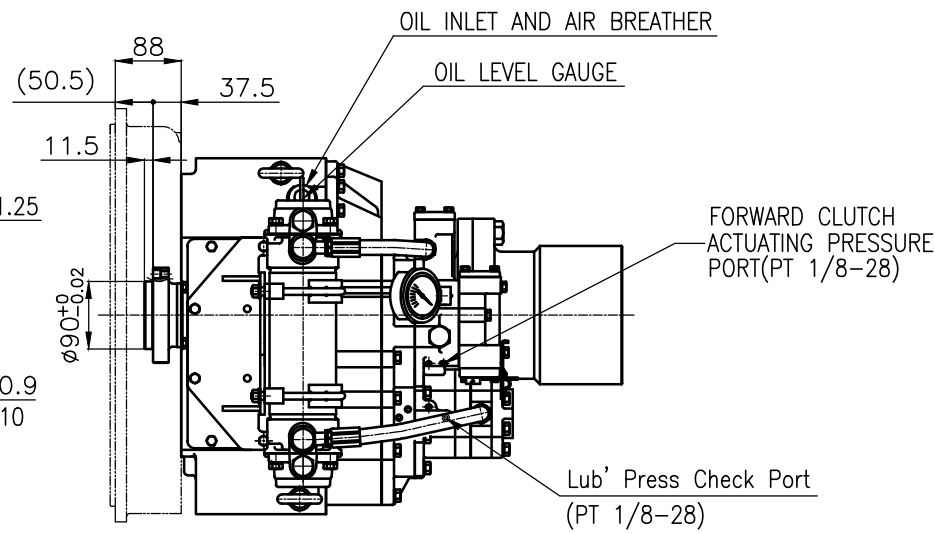


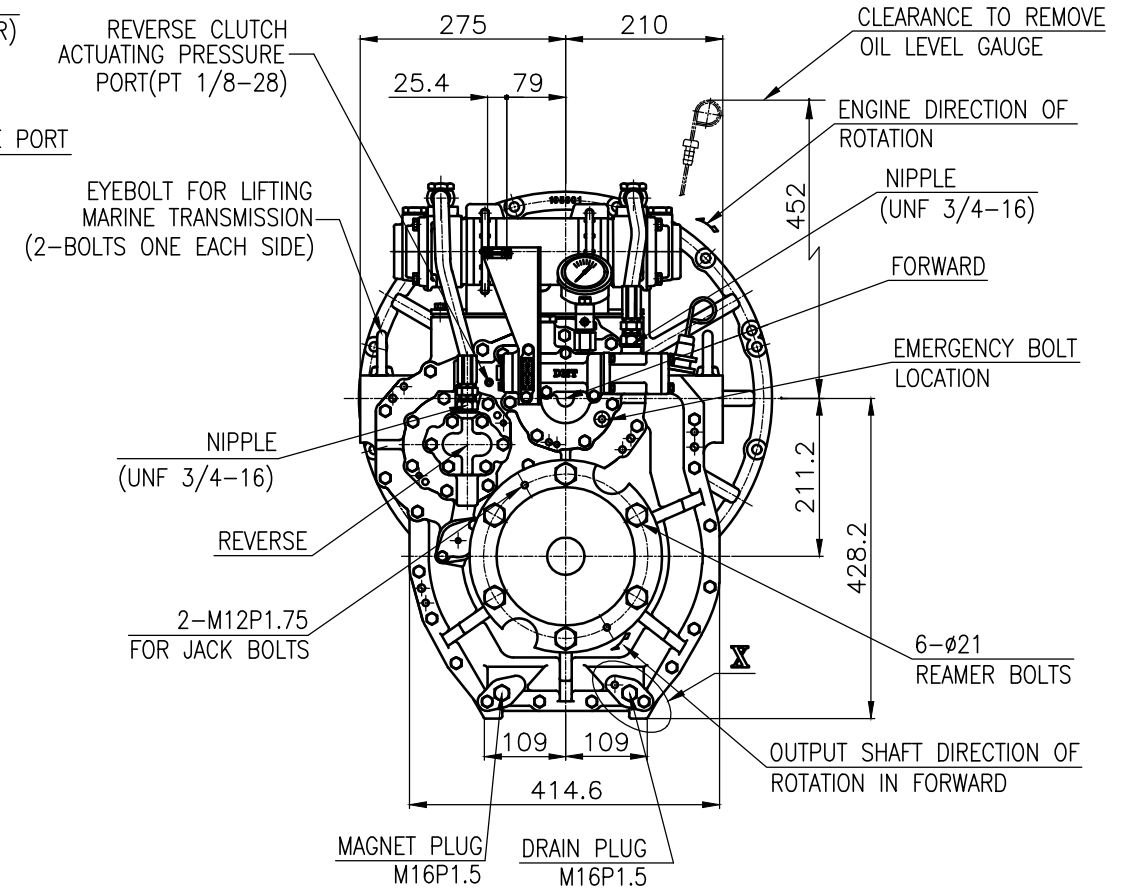
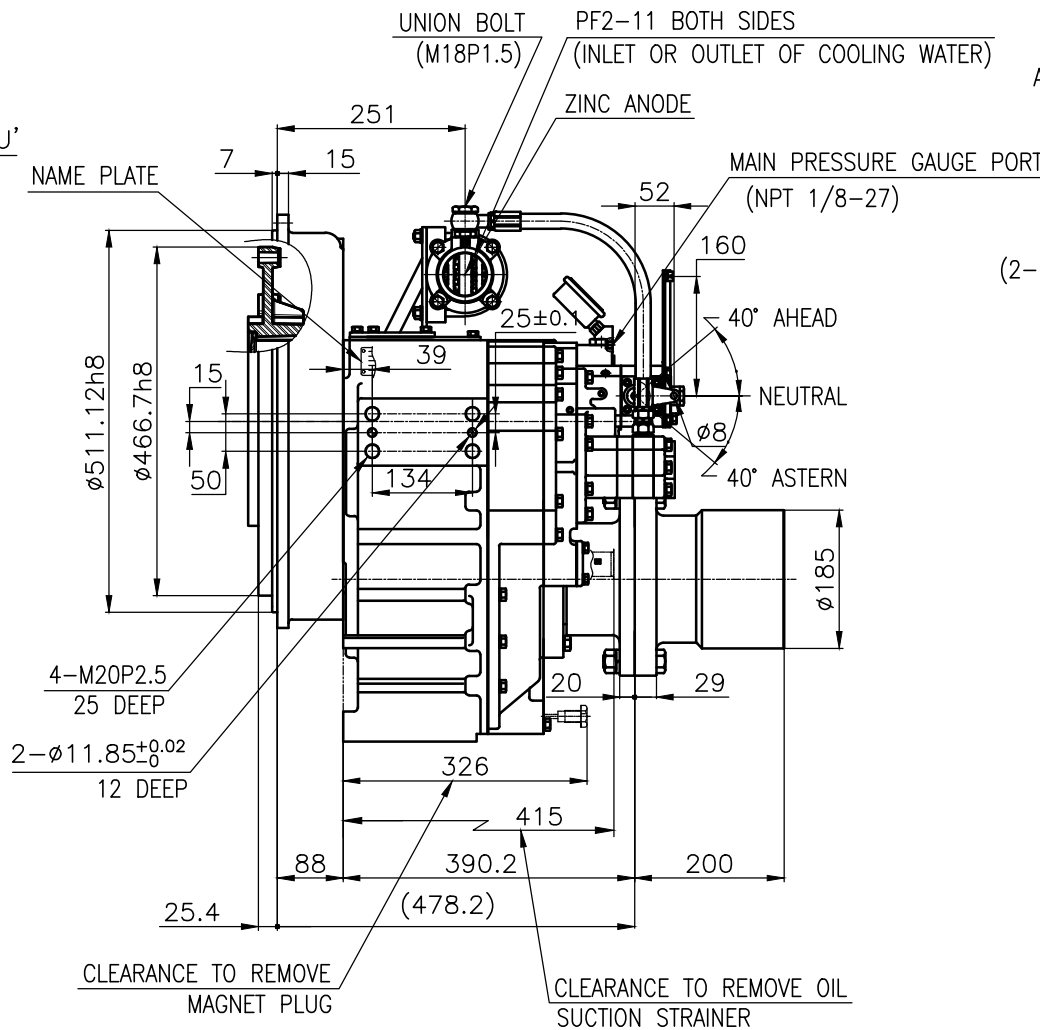
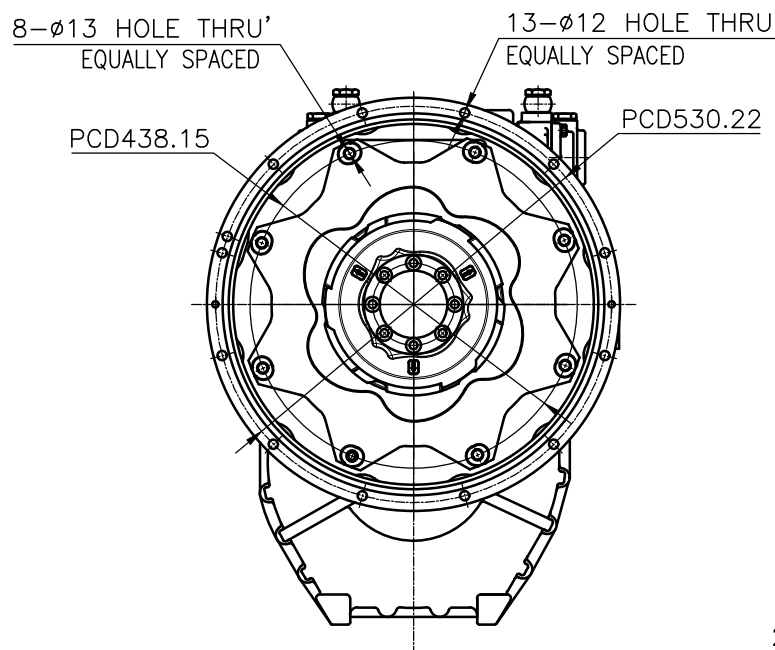
OUTPUT SHAFT COUPLING & PROPELLER COUPLING DIMENSION



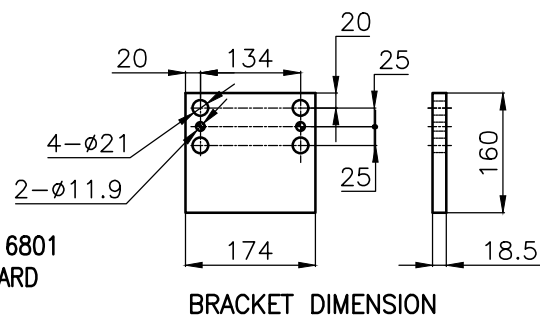
INPUT COUPLING DIMENSION



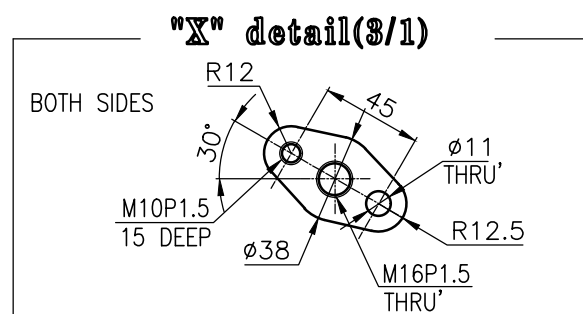
DMT 190H MARINE TRANSMISSION SPECIFICATION			
GEAR RATIO	1.83, 2.09, 2.52, 3.08, 3.43		
TOTAL WEIGHT	APPROX. 300 kg(DRY)		
OIL CAPACITY	APPROX. 5.5 L		
OIL VISCOSITY	SAE # 30		
OIL PRESSURE	1.96 ~ 2.54 MPa	CLUTCH OIL	
DIRECTION OF ROTATION	INPUT	C.C.W VIEWED FROM THE STERN	
	OUTPUT	C.W VIEWED FROM THE STERN	
OIL CHANGE INTERVAL	THE FIRST 100HOURS OF INITIAL OPERATION AND EVERY 1000HOURS THEREAFTER		
SHIFTING LIMIT	UNDER 50% OF THE RATED ENGINE SPEED		
OIL COOLER	WATER FLOW 40 ~ 60L/min		TEMPERATURE OF COOLING WATER MAX 32°C
OPERATING TORQUE OF SHIFTING LEVER	UNDER 2.94Nm		



- REMARK
- HOUSING: SAE#1
  - DRIVING RING: SAE 14"
  - COUPLING TYPE  
-CENTA Flex Coupling : 77216801
  - APPLICATION ENGINE : STANDARD



BRACKET DIMENSION



공통공차 TOLERANCE ON				번호 NO.	품 PART NO.	명 PART NAME	개수 Q'TY	재 MATERIAL	규 SIZE	비 REMARKS																														
분수 FRACTIONS	소수 DECIMALS	각도 ANGLES	공차 TOLERANCE																																					
±	±	±	±																																					
<table border="1"> <thead> <tr> <th>일</th> <th>구 분</th> <th>조 급</th> <th>중 급</th> <th>정 급</th> </tr> </thead> <tbody> <tr> <td>1</td> <td>초과 4 이하</td> <td>± 0.3</td> <td>± 0.1</td> <td>± 0.05</td> </tr> <tr> <td>4</td> <td>16</td> <td>± 0.5</td> <td>± 0.2</td> <td>± 0.07</td> </tr> <tr> <td>16</td> <td>63</td> <td>± 0.7</td> <td>± 0.3</td> <td>± 0.1</td> </tr> <tr> <td>63</td> <td>250</td> <td>± 1.2</td> <td>± 0.5</td> <td>± 0.2</td> </tr> <tr> <td>250</td> <td>1000</td> <td>± 2.0</td> <td>± 0.8</td> <td>± 0.3</td> </tr> </tbody> </table>				일	구 분	조 급	중 급	정 급	1	초과 4 이하	± 0.3	± 0.1	± 0.05	4	16	± 0.5	± 0.2	± 0.07	16	63	± 0.7	± 0.3	± 0.1	63	250	± 1.2	± 0.5	± 0.2	250	1000	± 2.0	± 0.8	± 0.3	재 MATERIAL 2018.09.12 SCALE 1/1		승인 APPROVED BY JK.Kim 검토 CHECKED BY TH.Cha 제도 DRAWN GH.Park 설계 DESIGNED		형 식 TYPE DMT190H 품 명 NAME MARINE TRANSMISSION 도 번 DWG. NO. 18500GA~E-114CFR 크 기 SIZE A 8 코드 번호 CODE ID. NO.		원 도 번 ORIGINAL DWG. NO. 개 정 (REV.) 000
일	구 분	조 급	중 급	정 급																																				
1	초과 4 이하	± 0.3	± 0.1	± 0.05																																				
4	16	± 0.5	± 0.2	± 0.07																																				
16	63	± 0.7	± 0.3	± 0.1																																				
63	250	± 1.2	± 0.5	± 0.2																																				
250	1000	± 2.0	± 0.8	± 0.3																																				
<b>D-I INDUSTRIAL</b>																																								