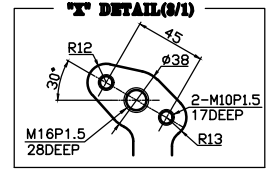
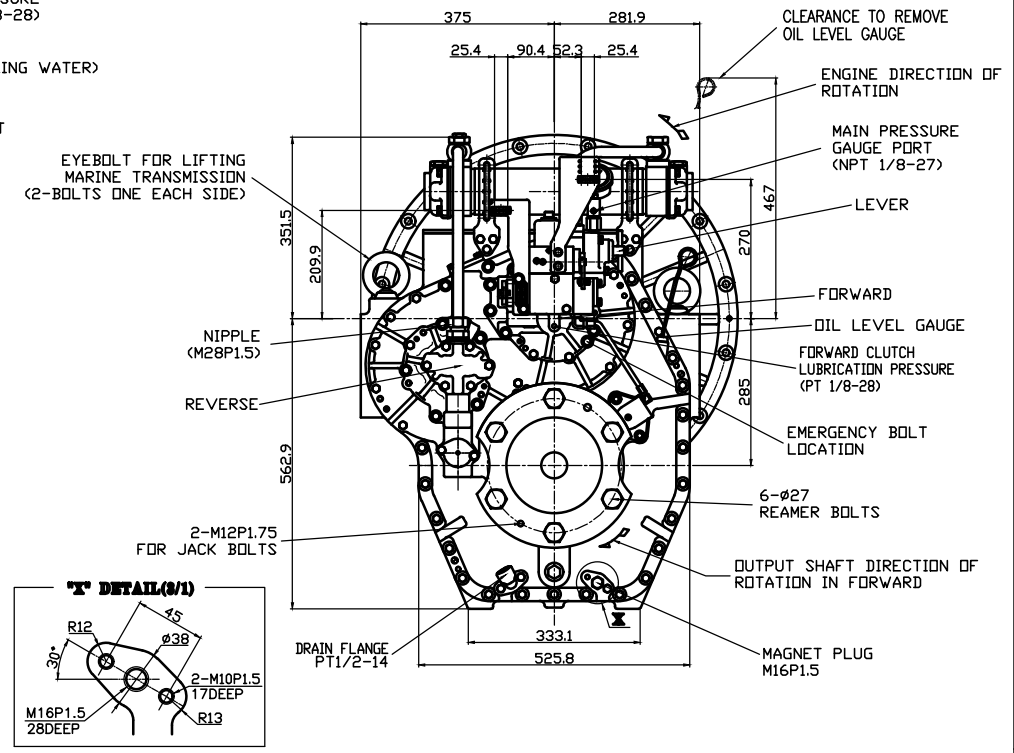
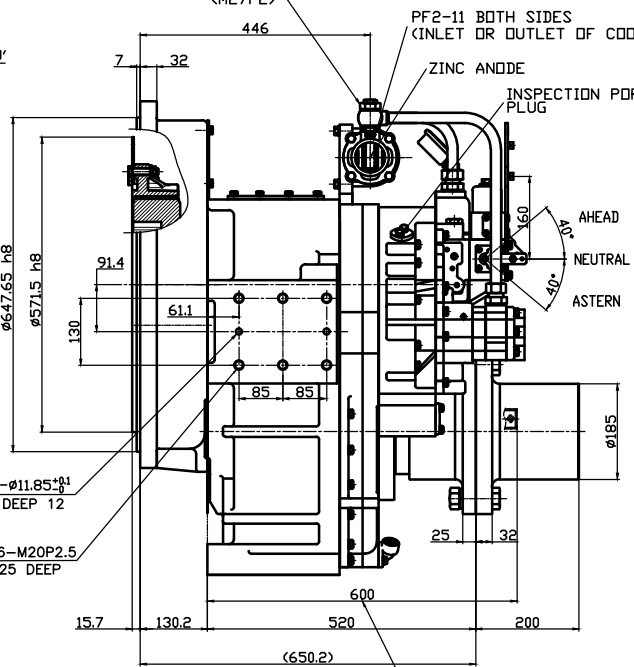
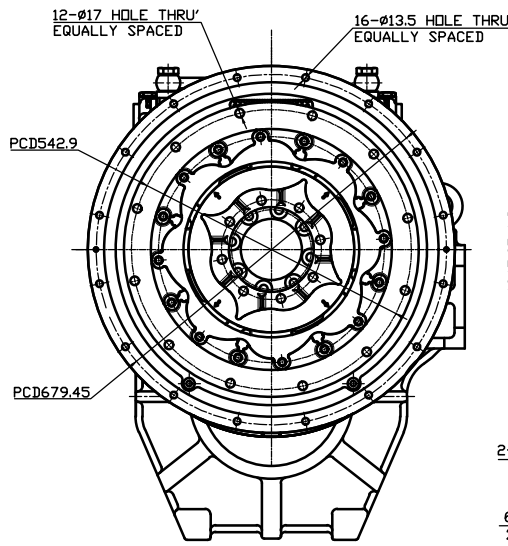
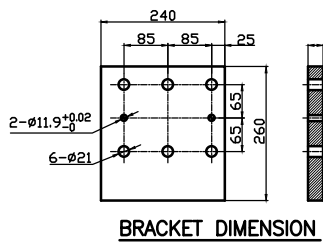


DMT430H MARINE TRANSMISSION SPECIFICATION			
GEAR RATIO	2.06, 2.44, 2.93, 3.23, 3.40		
TOTAL WEIGHT	APPROX. 803Kg (DRY, EXCEPT FOR PROPELLER COUPLING)		
OIL CAPACITY	APPROX. 11L		
OIL VISCOSITY	SAE # 30		
OIL PRESSURE	1.96 ~ 2.54 MPa	CLUTCH OIL	
DIRECTION OF ROTATION IN FORWARD	INPUT	C.W VIEWED FROM THE STERN	
	OUTPUT	C.W VIEWED FROM THE STERN	
OIL CHANGE INTERVAL	THE FIRST 100HOURS OF INITIAL OPERATION AND EVERY 1000HOURS THEREAFTER		
SHIFTING LIMIT	UNDER 50% OF THE RATED ENGINE SPEED		
OIL COOLER	WATER FLOW 90 ~ 120L/m	TEMPERATURE OF COOLING WATER MAX 32°C	
OPERATING TORQUE OF SHIFTING LEVER	UNDER 2.94Nm		



**REMARK**

- HOUSING : SAE# 0
- DRIVING RING : SAE 18"
- COULING TYPE  
- CENTA Flex Coupling : 77318802



공통공차	TOLERANCE ON	번호	PART NO.	PART NAME	개수	재질	규격	비고
분수	소수	각도						
±	±	±						
±0.3	±0.1	±0.05						
±0.5	±0.2	±0.07						
±0.7	±0.3	±0.1						
±1.2	±0.5	±0.2						
±2.0	±0.8	±0.3						

작성 DATE	2019.01.30	SCALE	1/1
APPROVED BY	CHECKED BY	DESIGNED	NAME
KC.YUN		MARINE TRANSMISSION	
DWG. NO.		430DTGHA~E-018CFR	
크기	A0	코드번호	
SIZE		CODE ID. NO.	

