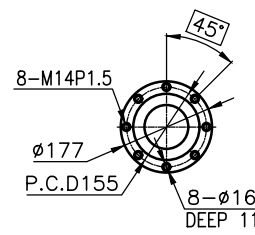
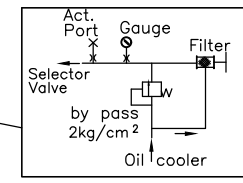
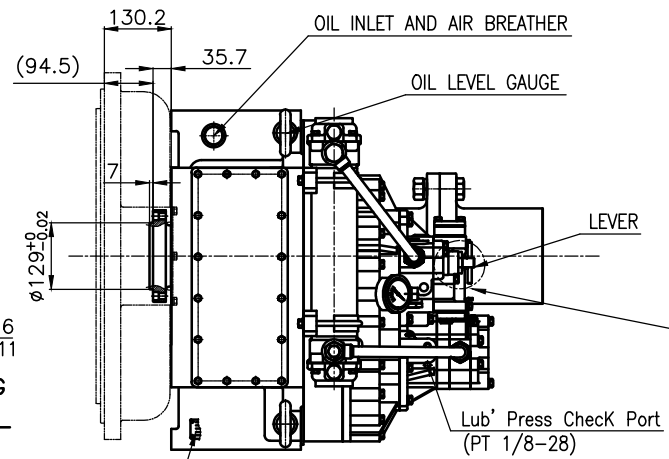


OUTPUT SHAFT COUPLING & PROPELLER COUPLING DIMENSION

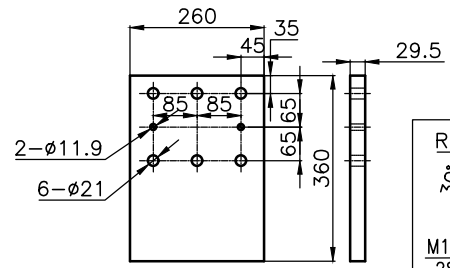
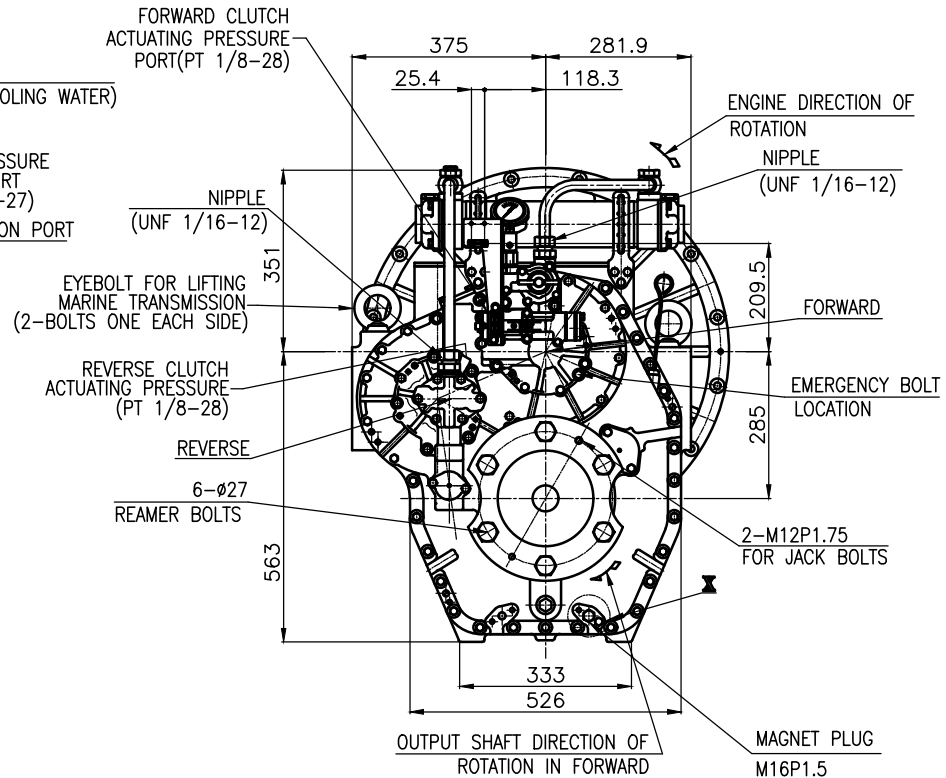
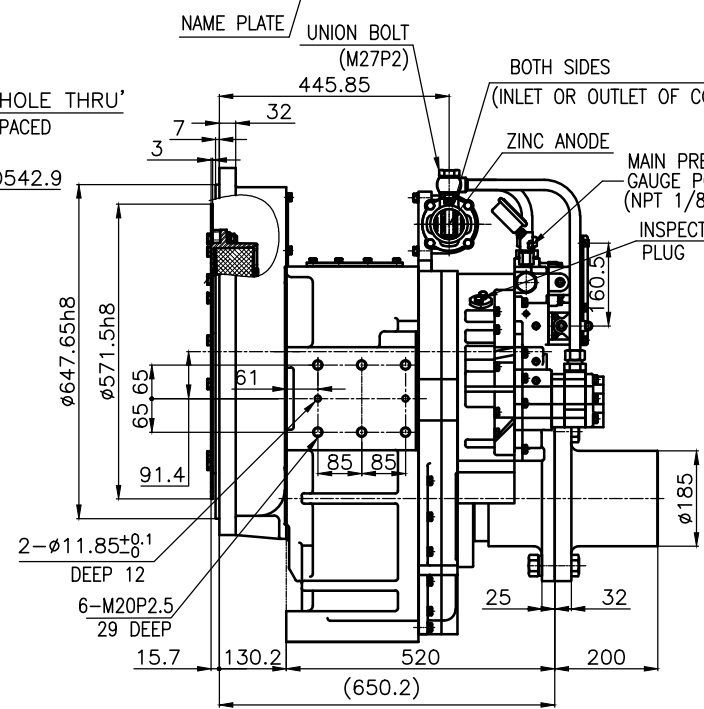
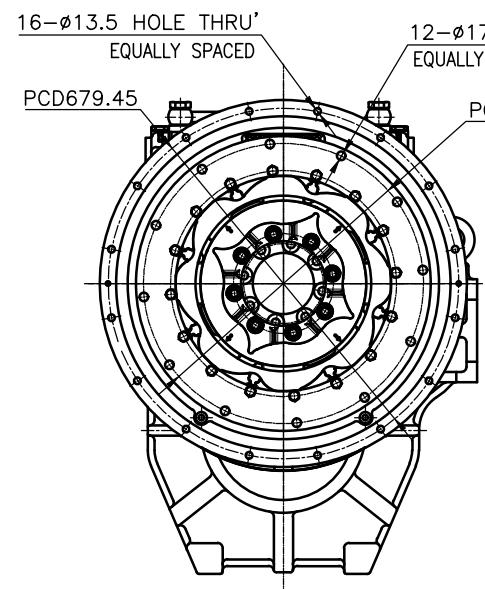


INPUT COUPLING DIMENSION

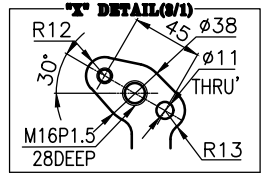


[BY PASS SYSTEM]

DMT430H MARINE TRANSMISSION SPECIFICATION	
GEAR RATIO	2.06, 2.44, 2.93, 3.23, 3.4
TOTAL WEIGHT	APPROX. 694Kg(DRY)
OIL CAPACITY	APPROX. 11L
OIL VISCOSITY	SAE # 30
OIL PRESSURE	1.96 ~ 2.54 MPa CLUTCH OIL
DIRECTION OF ROTATION IN FORWARD	INPUT C.W VIEWED FROM THE STERN OUTPUT C.W VIEWED FROM THE STERN
OIL CHANGE INTERVAL	THE FIRST 100HOURS OF INITIAL OPERATION AND EVERY 1000HOURS THEREAFTER
SHIFTING LIMIT	UNDER 50% OF THE RATED ENGINE SPEED
OIL COOLER	WATER FLOW 90 ~ 120L/m TEMPERATURE OF COOLING WATER MAX 32°C
OPERATING TORQUE OF SHIFTING LEVER	UNDER 2.94Nm



BRACKET DIMENSION



REMARK
 1. HOUSING : SAE# 0
 2. DRIVING RING : SAE 18"
 3. COUPLING TYPE
 - CENTA Flex Coupling : 77318802

공통공차 TOLERANCE ON	번호 NO.	품 PART NO.	품 PART NAME	개수 QTY	재 MATERIAL	규 SIZE	비 REMARKS
분수 FRACTIONS	±	소수 DECIMALS	±	각도 ANGLES	±		
원형	2018.09.12	SCALE	1/1	TYPE	DMT430H		
1 초과 4 이하	±0.3	±0.1	±0.05	NAME	MARINE TRANSMISSION		
4 16	±0.5	±0.2	±0.07	DWG. NO.	43000GA~E-018CFR		
16 63	±0.7	±0.3	±0.1	크기 SIZE	A0		
63 250	±1.2	±0.5	±0.2	코드번호 CODE ID. NO.			
250 1000	±2.0	±0.8	±0.3				

