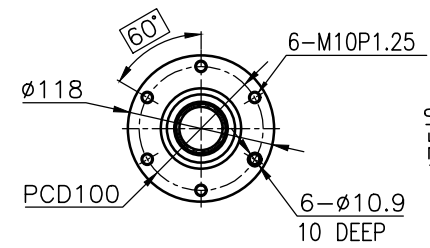
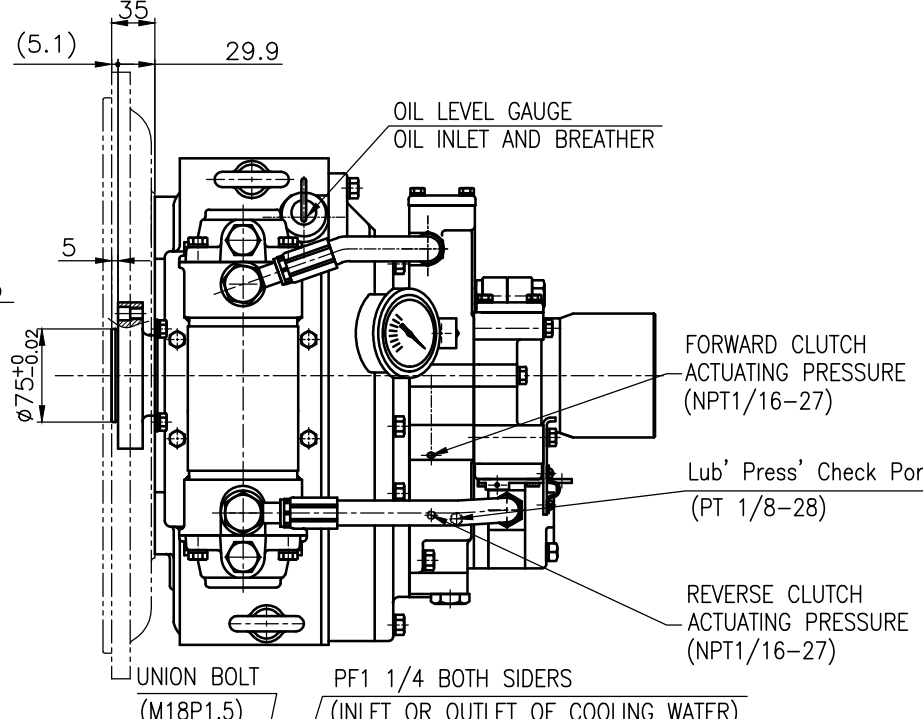


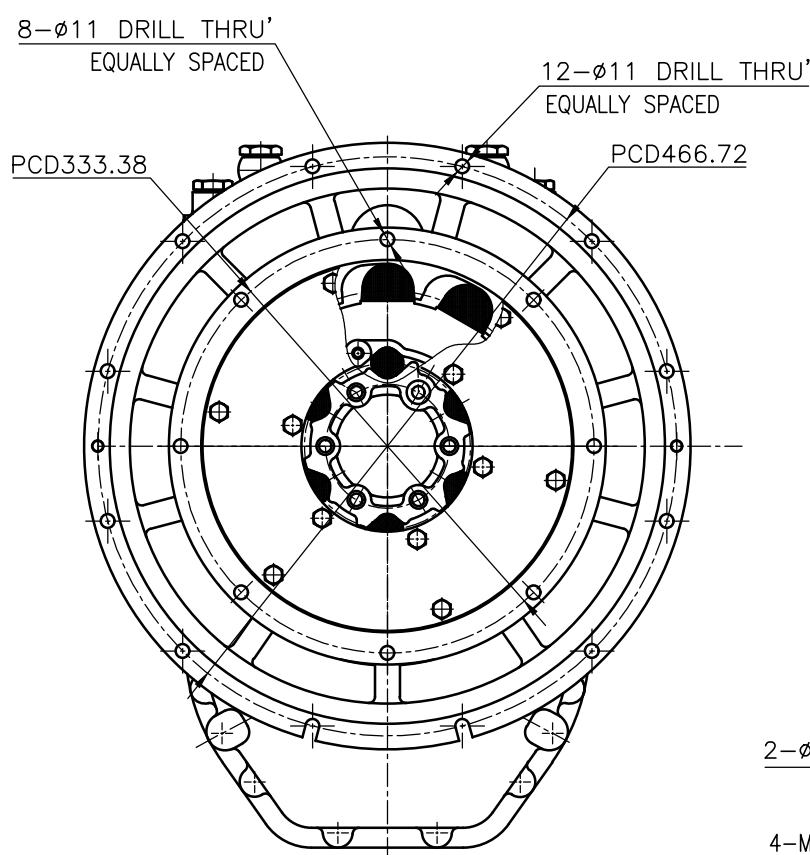
OUTPUT SHAFT COUPLING & PROPELLER COUPLING DIMENSION



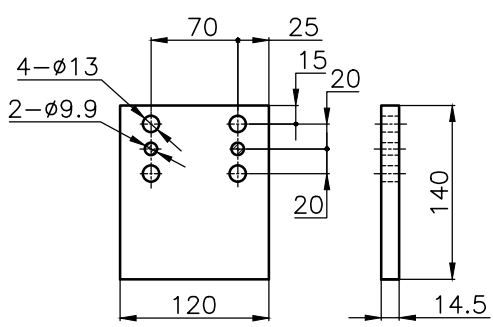
INPUT COUPLING DIMENSION



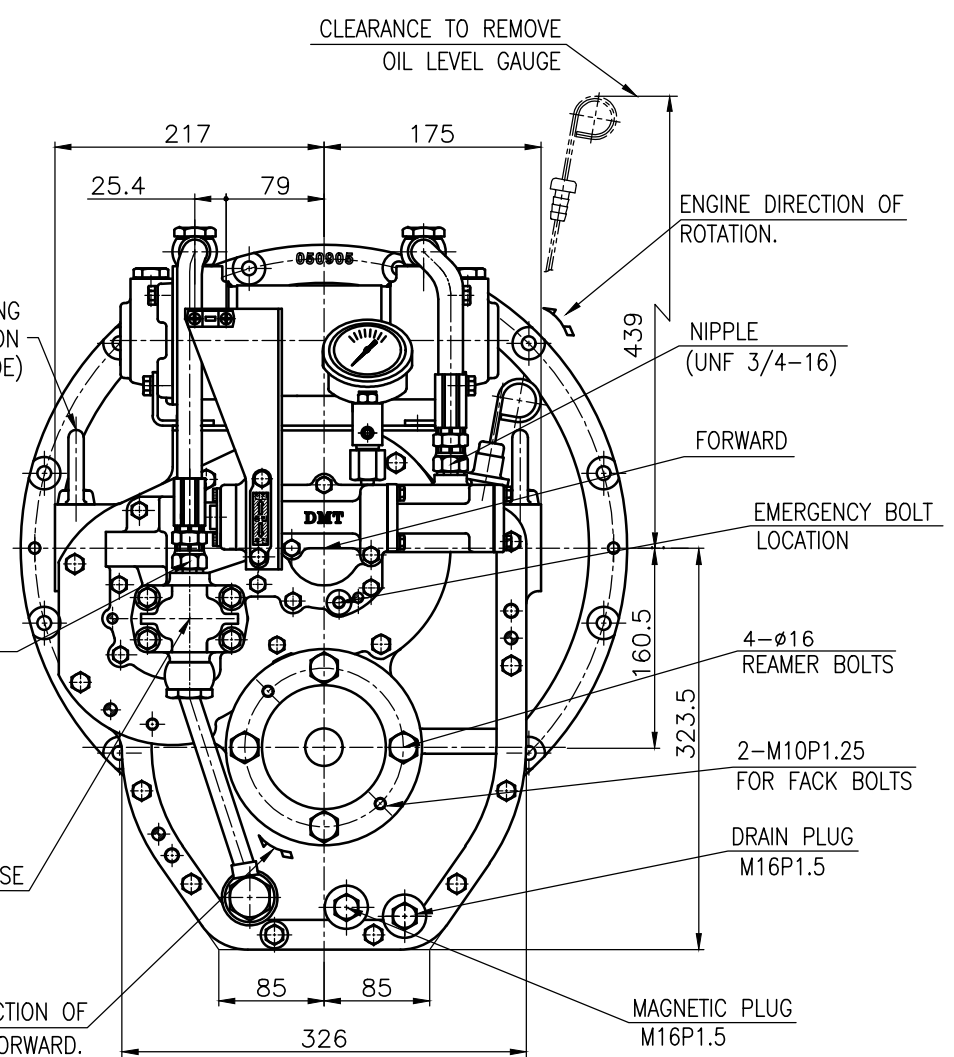
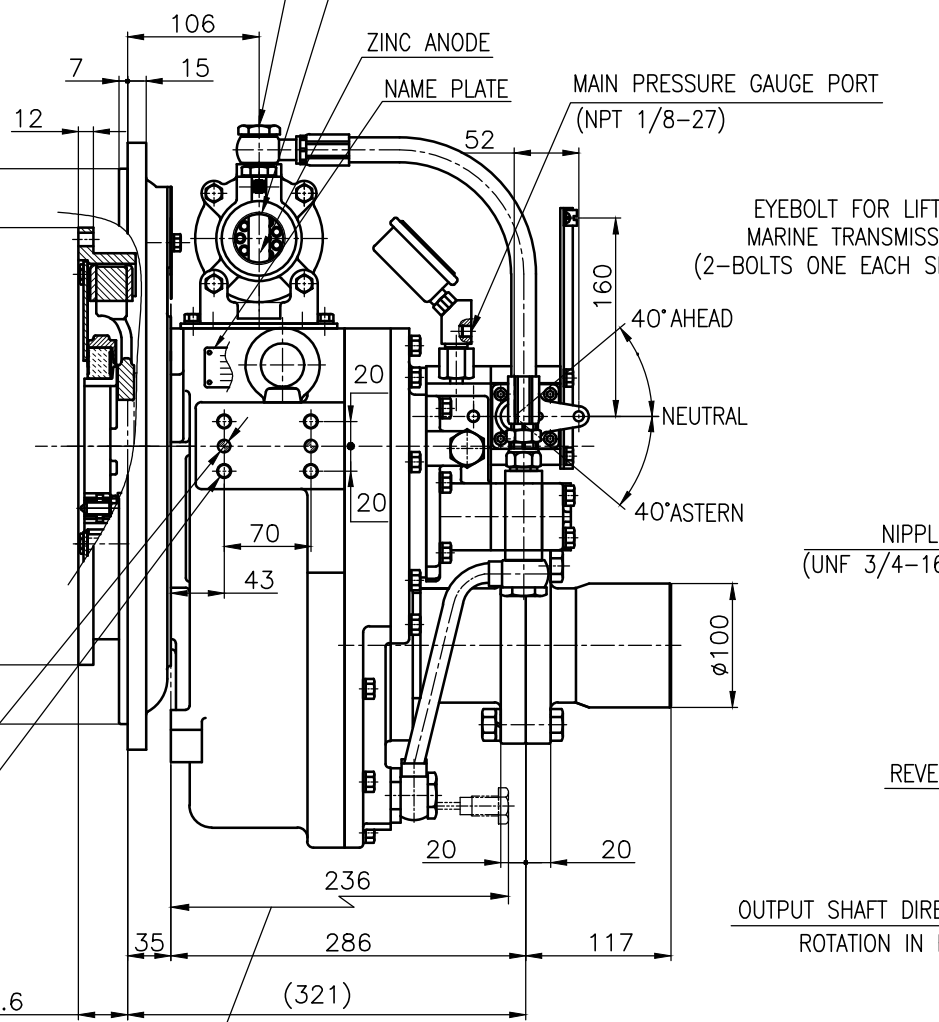
DMT 50A MARINE GEAR SPECIFICATION	
GEAR RATIO	1.61, 2.06, 2.45, 2.82, 3.12, 3.46
TOTAL WEIGHT	APPROX. 143 kg(DRY)
OIL CAPACITY	APPROX. 3L
OIL VISCOSITY	SAE # 30
OIL PRESSURE	1.96 ~ 2.54 MPa CLUTCH OIL
DIRECTION OF ROTATION IN FORWARD	INPUT C.C.W VIEWED FROM THE STERN OUTPUT C.W VIEWED FROM THE STERN
OIL CHANGE INTERVAL	THE FIRST 100HOURS OF INITIAL OPERATION AND EVERY 1000HOURS THEREAFTER
SHIFTING LIMIT	UNDER 50% OF THE RATED ENGINE SPEED
OIL COOLER	WATER FLOW 40 ~ 60L/min TEMPERATURE OF COOLING WATER MAX 32°C
OPERATING TORQUE OF SHIFTING LEVER	UNDER 2.94Nm



- REMARK (HOT)
- 1.HOUSING: SAE#2
  - 2.DRIVING RING: SAE 11.5"
  - 3.COUPLING TYPE : DUAL STAGE
  - 4.APPLICATION ENGINE : STANDARD



BRACKET DIMENSION



公差表 TOLERANCE ON				번호 NO.	품 PART NO.	품 PART NAME	개수 QTY	재 MATERIAL	규 SIZE	비 REMARKS
분수 FRACTIONS	소수 DECIMALS	각도 ANGLES	절삭 가공	제 MATERIAL						
±	±	±	±	입 승인 APPROVED BY	작성 DATE 2018.09.12	검토 CHECKED BY TH.Cha	척도 SCALE N/S	형 TYPE DMT50A	원도 번호 ORIGINAL DWG. NO.	
1 초과 4 이하	± 0.3	± 0.1	± 0.05	JK.Kim	TH.Cha	GH.Park	N/S	품명 NAME	MARINE TRANSMISSION	
4	± 0.5	± 0.2	± 0.07					도 번호 DWG. NO.	050000A~F-2115DCH	
16	± 0.7	± 0.3	± 0.1					개형 (REV.)	000	
63	± 1.2	± 0.5	± 0.2					크기 SIZE	A 3	
250	± 2.0	± 0.8	± 0.3					코드 번호 CODE ID. NO.		

