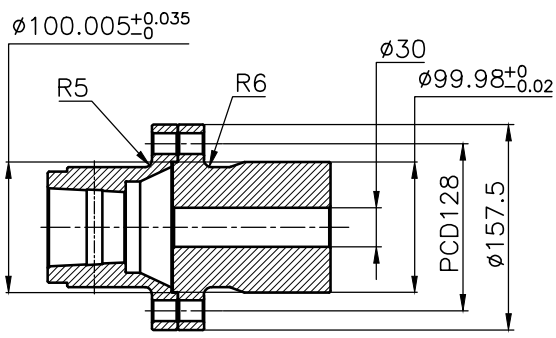
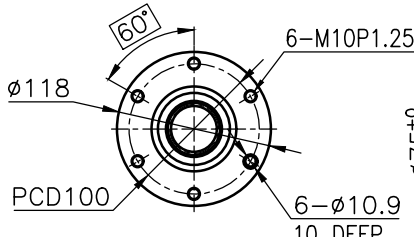


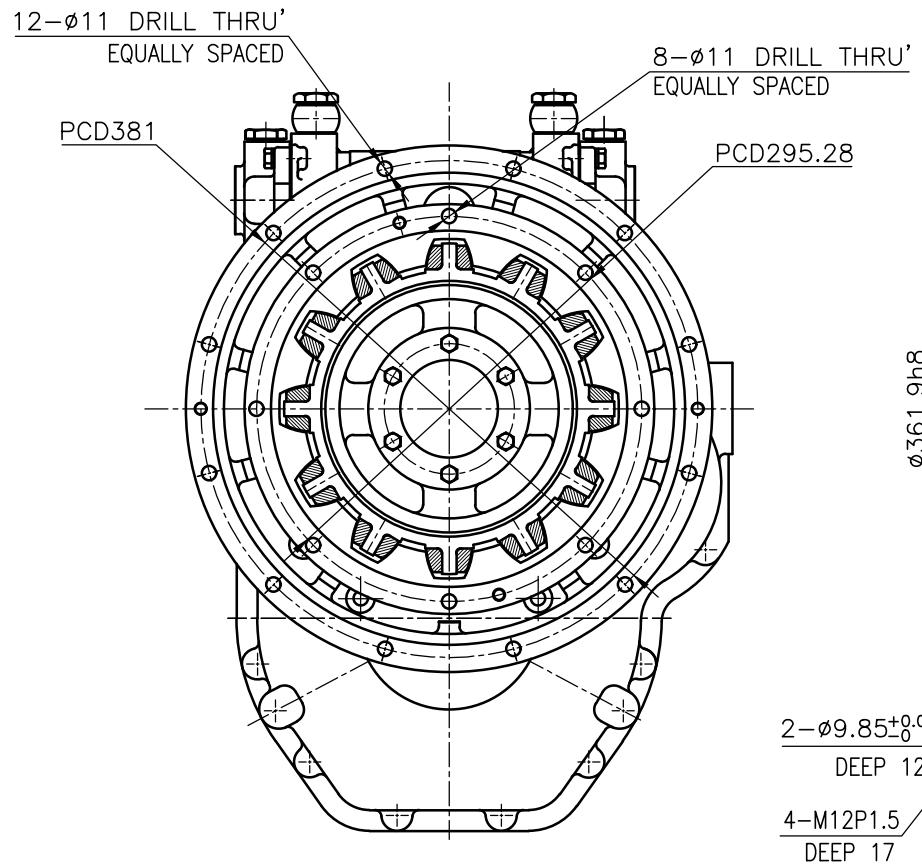
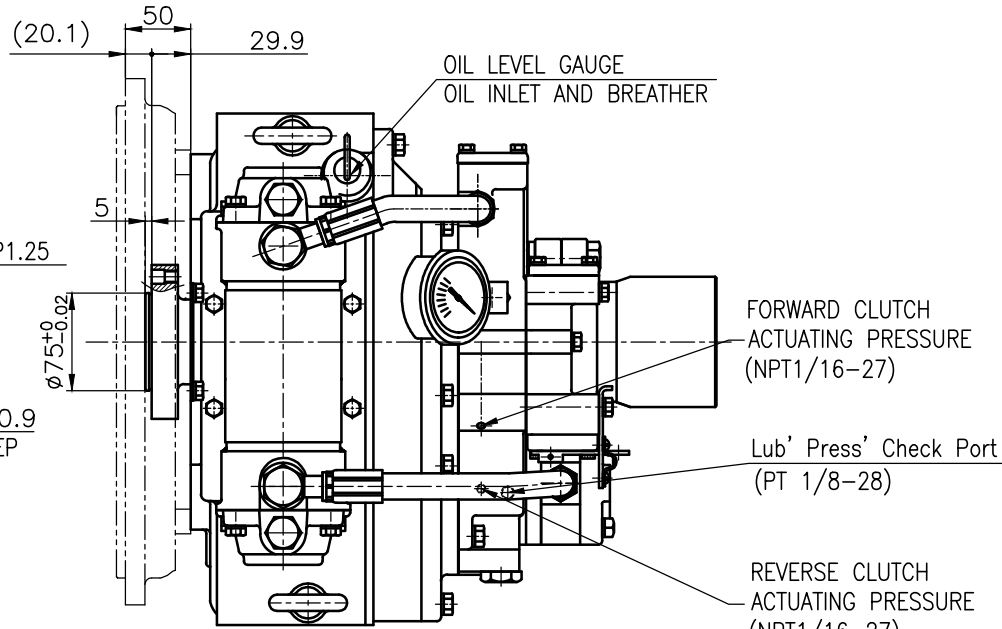
DMT 50A MARINE GEAR SPECIFICATION		
GEAR RATIO	1.61, 2.06, 2.45, 2.82, 3.12, 3.46	
TOTAL WEIGHT	APPROX. 143 kg(DRY)	
OIL CAPACITY	APPROX. 3L	
OIL VISCOSITY	SAE # 30	
OIL PRESSURE	1.96 ~ 2.54 MPa	CLUTCH OIL
DIRECTION OF ROTATION IN FORWARD	INPUT C.C.W VIEWED FROM THE STERN	OUTPUT C.W VIEWED FROM THE STERN
OIL CHANGE INTERVAL	THE FIRST 100HOURS OF INITIAL OPERATION AND EVERY 1000HOURS THEREAFTER	
SHIFTING LIMIT	UNDER 50% OF THE RATED ENGINE SPEED	
OIL COOLER	WATER FLOW 40 ~ 60L/min	TEMPERATURE OF COOLING WATER MAX 32°C
OPERATING TORQUE OF SHIFTING LEVER	UNDER 2.94Nm	



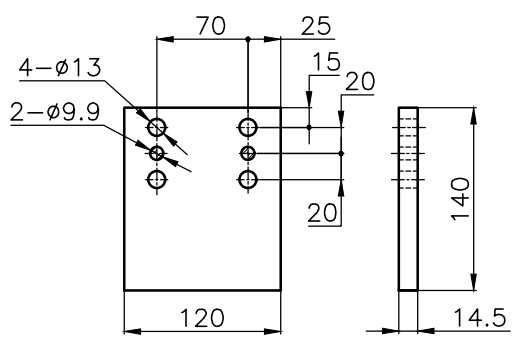
OUTPUT SHAFT COUPLING & PROPELLER COUPLING DIMENSION



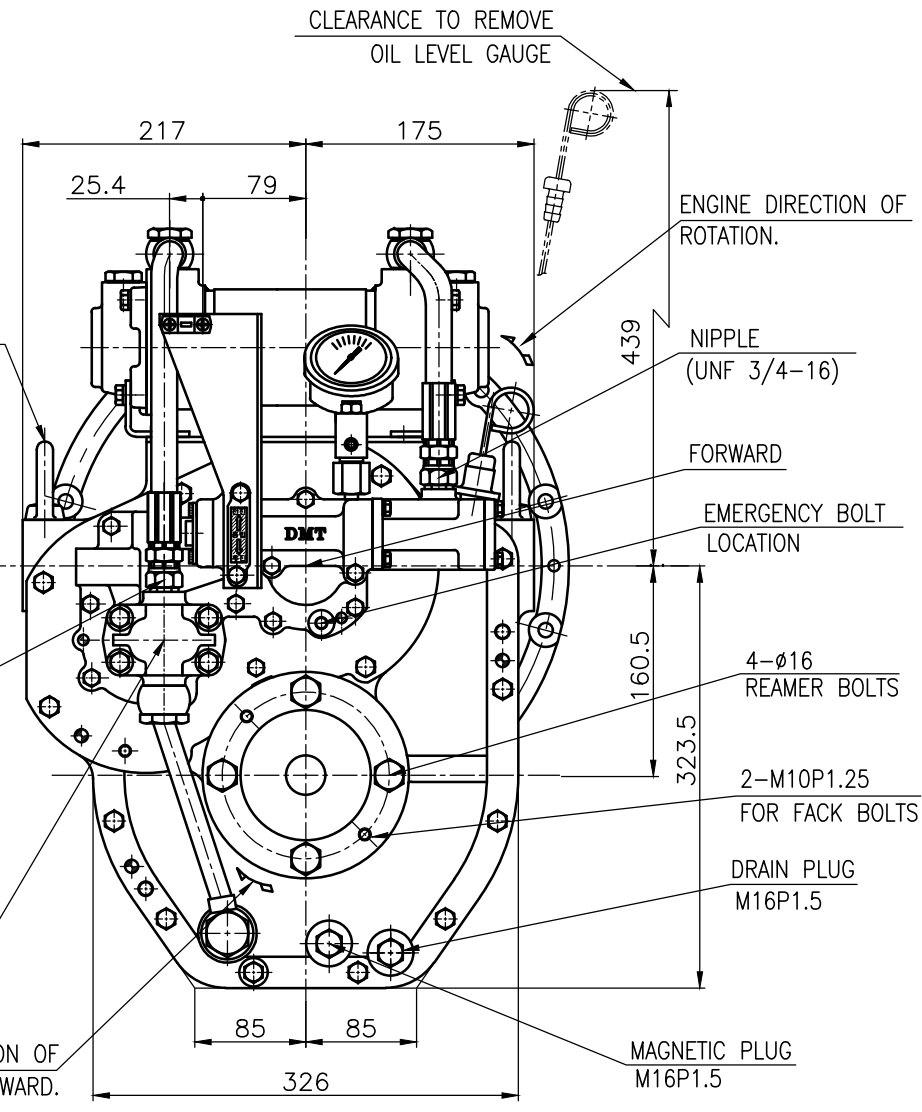
INPUT COUPLING DIMENSION



- REMARK (HOT)
- 1.HOUSING: SAE#4
 - 2.DRIVING RING: SAE 10"
 - 3.COUPLING TYPE : RUBBER
 - 4.APPLICATION ENGINE : STANDARD



BRACKET DIMENSION



공통공차 TOLERANCE ON				번호 NO.	품 PART NO.	품 PART NAME	개수 QTY	재 MATERIAL	규 SIZE	비 REMARKS
분수 FRACTIONS	소수 DECIMALS	각도 ANGLES	정공 DIMENSIONS							
±	±	±	±							
1/100	0.01	0.1	±0.05							
1/50	0.02	0.2	±0.07							
1/20	0.05	0.5	±0.1							
1/10	0.1	1.0	±0.2							
1/5	0.2	2.0	±0.3							
1/2	0.5	5.0	±0.5							
1/1	1.0	10.0	±0.8							

작성 DATE 2018.09.12	최도 SCALE N/S	형 식 TYPE DMT50A	원도 번호 ORIGINAL DWG. NO.
승인 BY JK.Kim	검도 BY TH.Cha	제도 DRAWN GH.Park	설계 DESIGNED
품명 MARINE TRANSMISSION		도번 DWG. NO. 050000A~F-410RCH	
D-I INDUSTRIAL		크기 SIZE A 3	코드 번호 CODE ID. NO.