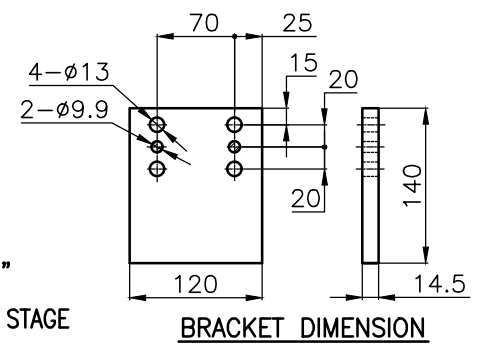
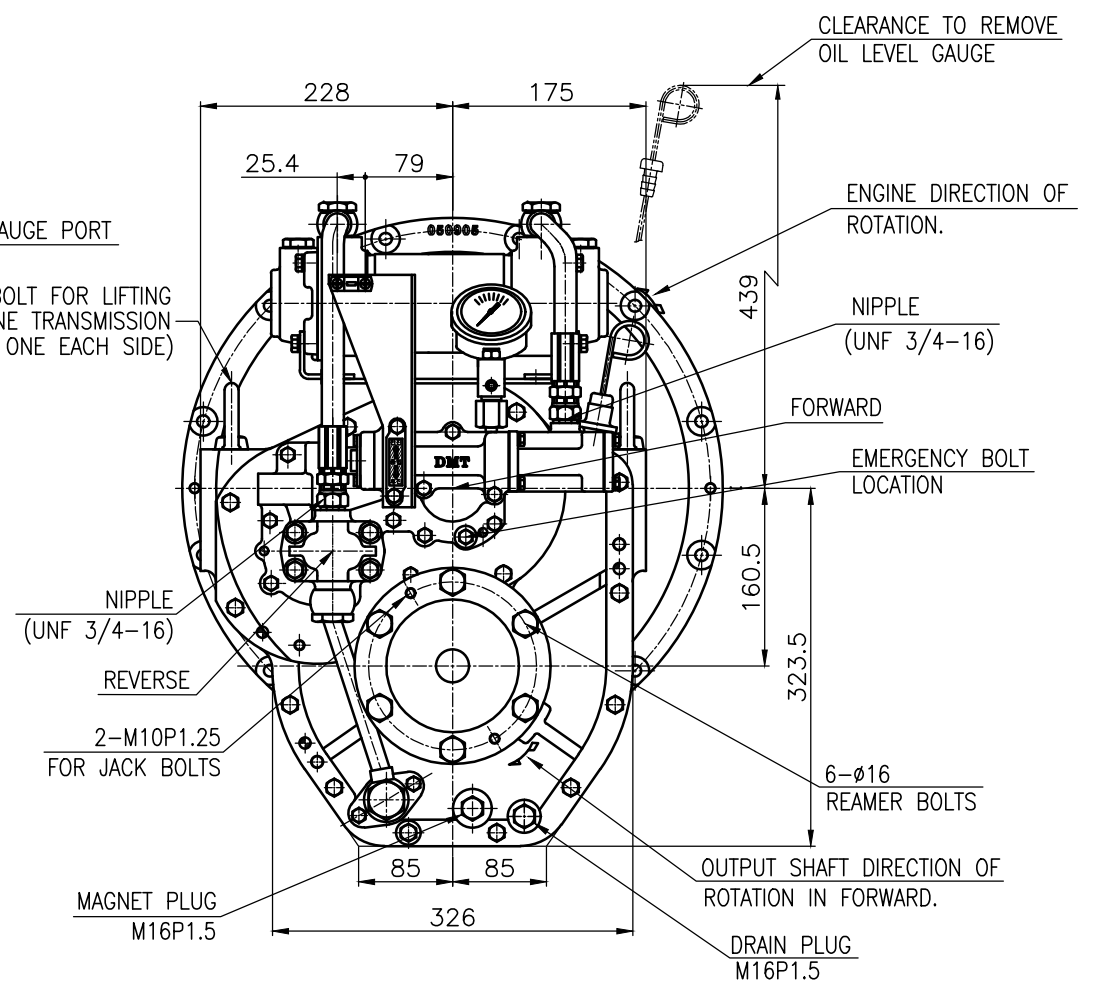
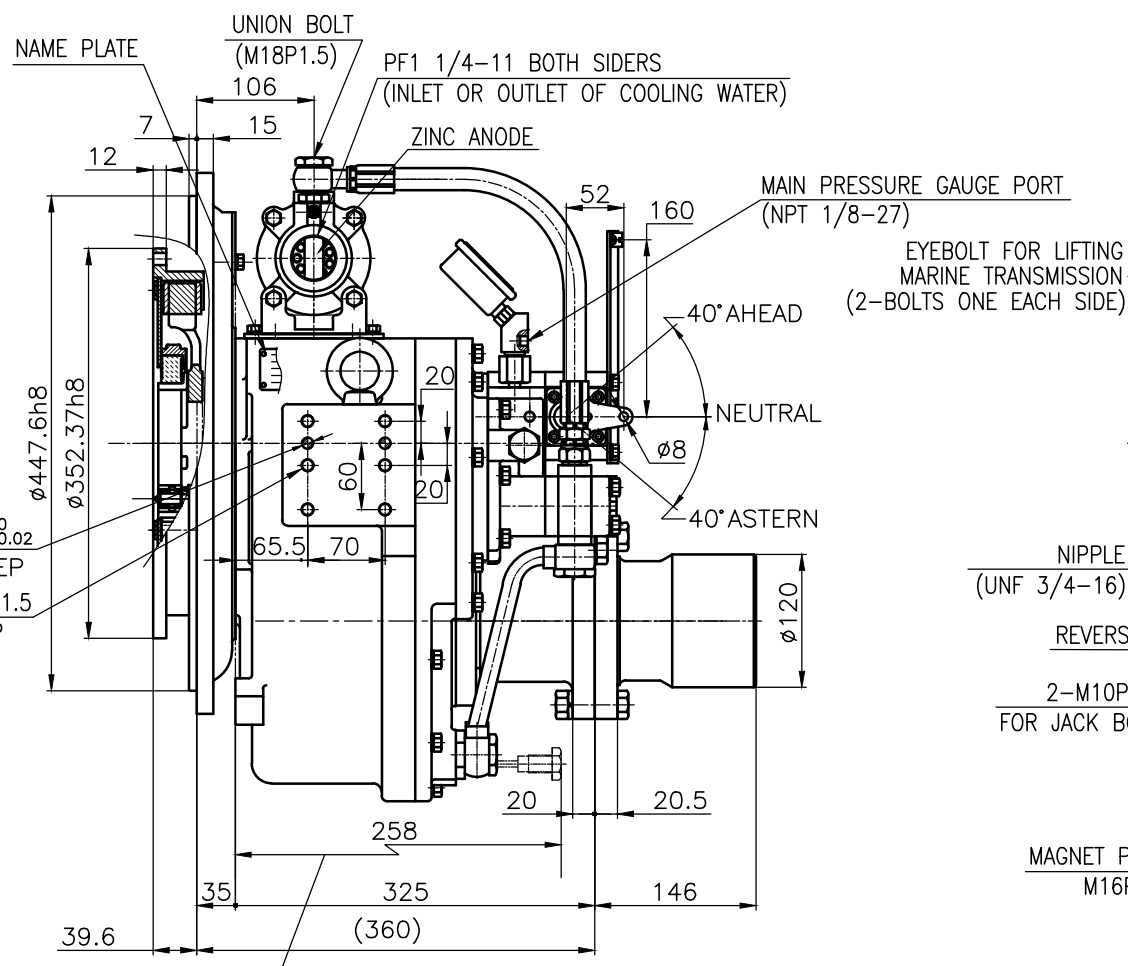
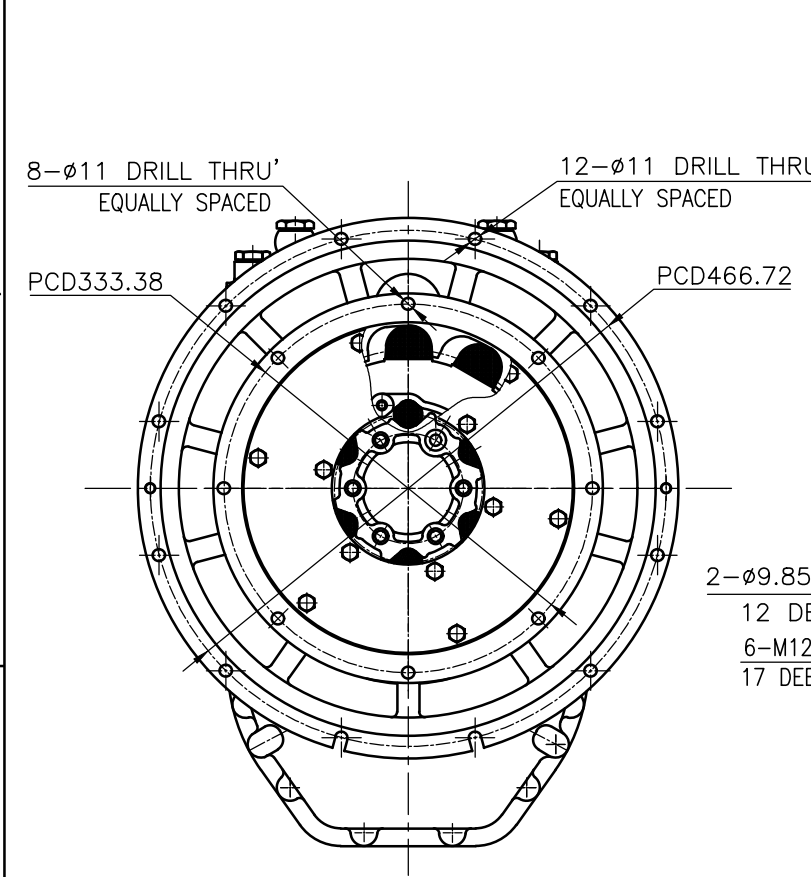


DMT90A MARINE TRANSMISSION SPECIFICATION	
GEAR RATIO	1.61, 2.06, 2.45, 2.82, 3.12, 3.46
TOTAL WEIGHT	APPROX 159 kg(DRY)
OIL CAPACITY	APPROX. 3.5 L
OIL VISCOSITY	SAE # 30
OIL PRESSURE	1.96 ~ 2.54 MPa CLUTCH OIL
DIRECTION OF ROTATION IN FORWARD	INPUT C.C.W VIEWED FROM THE STERN OUTPUT C.W VIEWED FROM THE STERN
OIL CHANGE INTERVAL	THE FIRST 100HOURS OF INITIAL OPERATION AND EVERY 1000HOURS THEREAFTER
SHIFTING LIMIT	UNDER 50% OF THE RATED ENGINE SPEED
OIL COOLER	WATER FLOW 40 ~ 60 L/min TEMPERATURE OF COOLING WATER MAX 32 °C
OPERATING TORQUE OF SHIFTING LEVER	UNDER 2.94Nm



- REMARK (HOT)
- HOUSING: SAE#2
 - DRIVING RING: SAE 11.5"
 - COUPLING TYPE : DUAL STAGE
 - APPLICATION ENGINE : STANDARD

공통공차 TOLERANCE ON				번호 NO.	품 PART NO.	품 PART NAME	개수 QTY	재 MATERIAL	규 SIZE	비 REMARKS																			
분수 FRACTIONS	소수 DECIMALS	각도 ANGLES	공차 TOLERANCE																										
±	±	±	±																										
<table border="1"> <tr> <td>1 초과 4 이하</td> <td>± 0.3</td> <td>± 0.1</td> <td>± 0.05</td> </tr> <tr> <td>4</td> <td>± 0.5</td> <td>± 0.2</td> <td>± 0.07</td> </tr> <tr> <td>16</td> <td>± 0.7</td> <td>± 0.3</td> <td>± 0.1</td> </tr> <tr> <td>63</td> <td>± 1.2</td> <td>± 0.5</td> <td>± 0.2</td> </tr> <tr> <td>250</td> <td>± 2.0</td> <td>± 0.8</td> <td>± 0.3</td> </tr> </table>				1 초과 4 이하	± 0.3	± 0.1	± 0.05	4	± 0.5	± 0.2	± 0.07	16	± 0.7	± 0.3	± 0.1	63	± 1.2	± 0.5	± 0.2	250	± 2.0	± 0.8	± 0.3	MATERIAL 2018.09.12 SCALE N/S		TYPE DMT90A		ORIGINAL DWG. NO.	
1 초과 4 이하	± 0.3	± 0.1	± 0.05																										
4	± 0.5	± 0.2	± 0.07																										
16	± 0.7	± 0.3	± 0.1																										
63	± 1.2	± 0.5	± 0.2																										
250	± 2.0	± 0.8	± 0.3																										
APPROVED BY JK.Kim CHECKED BY TH.Cha DRAWN GH.Park DESIGNED				NAME MARINE TRANSMISSION		DWG. NO. 090000GA~F-2115DCH		개항 (REV.) 000																					
D-I INDUSTRIAL				크 기 SIZE A 8		코-드 번호 CODE ID. NO.																							