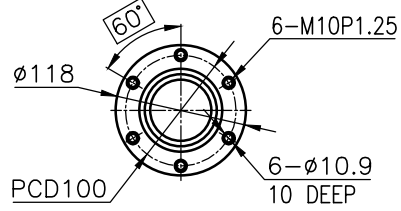
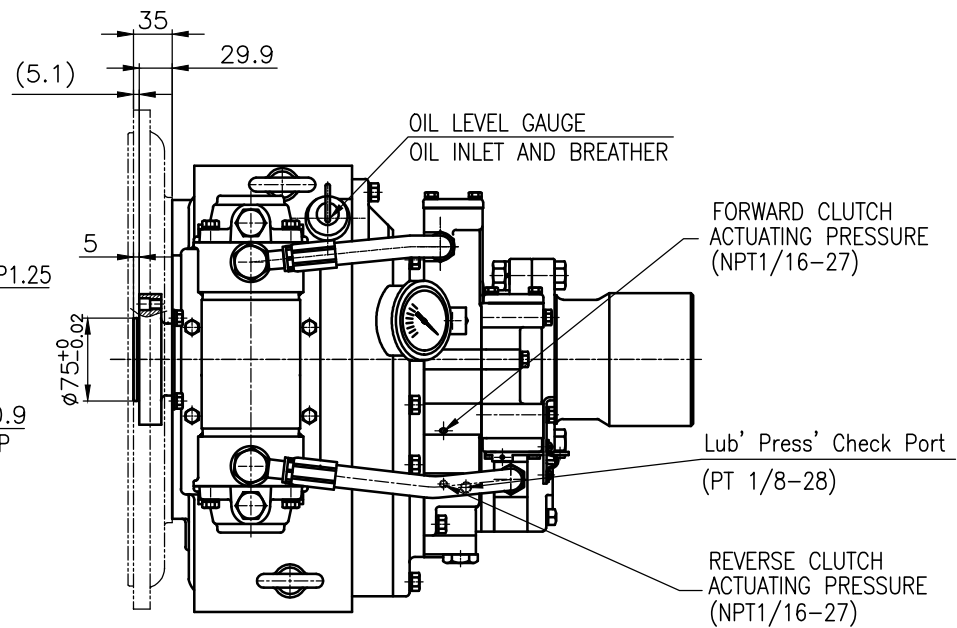


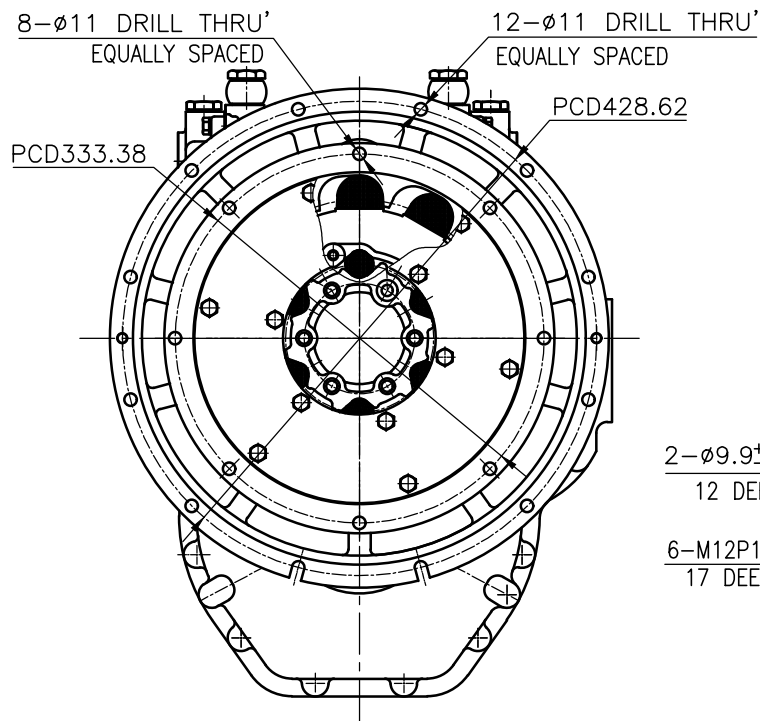
OUTPUT SHAFT COUPLING & PROPELLER COUPLING DIMENSION



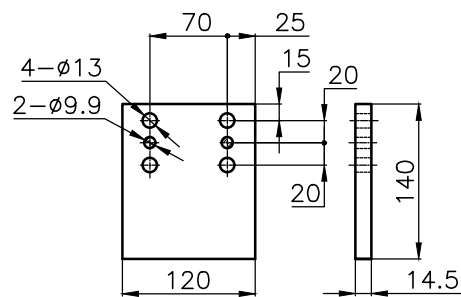
INPUT COUPLING DIMENSION



DMT90A MARINE TRANSMISSION SPECIFICATION			
GEAR RATIO	1.61, 2.06, 2.45, 2.82, 3.12, 3.46		
TOTAL WEIGHT	APPROX 159 kg(DRY)		
OIL CAPACITY	APPROX. 3.5 L		
OIL VISCOSITY	SAE # 30		
OIL PRESSURE	1.96 ~ 2.54 MPa	CLUTCH OIL	
DIRECTION OF ROTATION	INPUT	C.C.W VIEWED FROM THE STERN	
	OUTPUT	C.W VIEWED FROM THE STERN	
OIL CHANGE INTERVAL	THE FIRST 100HOURS OF INITIAL OPERATION AND EVERY 1000HOURS THEREAFTER		
SHIFTING LIMIT	UNDER 50% OF THE RATED ENGINE SPEED		
OIL COOLER	WATER FLOW 40 ~ 60 L/min		TEMPERATURE OF COOLING WATER MAX 32 °C
	OPERATING TORQUE OF SHIFTING LEVER		UNDER 2.94Nm



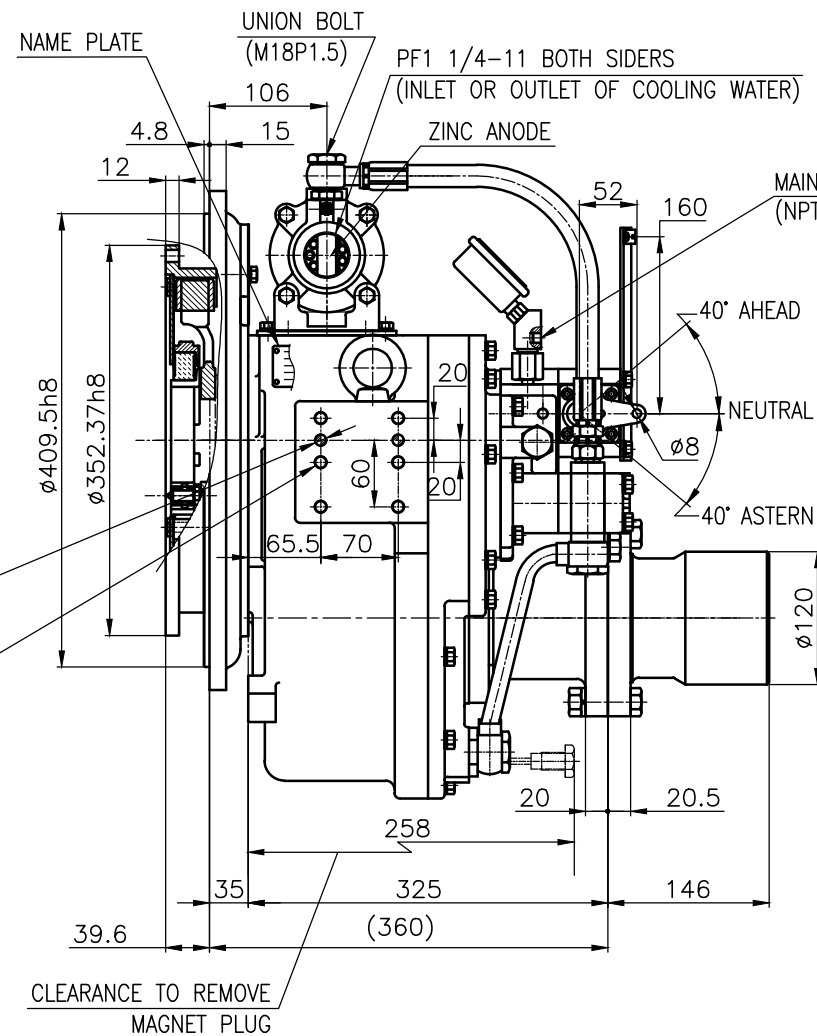
2- $\phi 9.9 \pm 0.02$   
 12 DEEP  
 6-M12P1.5  
 17 DEEP



BRACKET DIMENSION

REMARK (HOT)

- 1.HOUSING: SAE#3
- 2.DRIVING RING: SAE 11.5"
- 3.COUPLING TYPE : DUAL STAGE
- 4.APPLICATION ENGINE : STANDARD

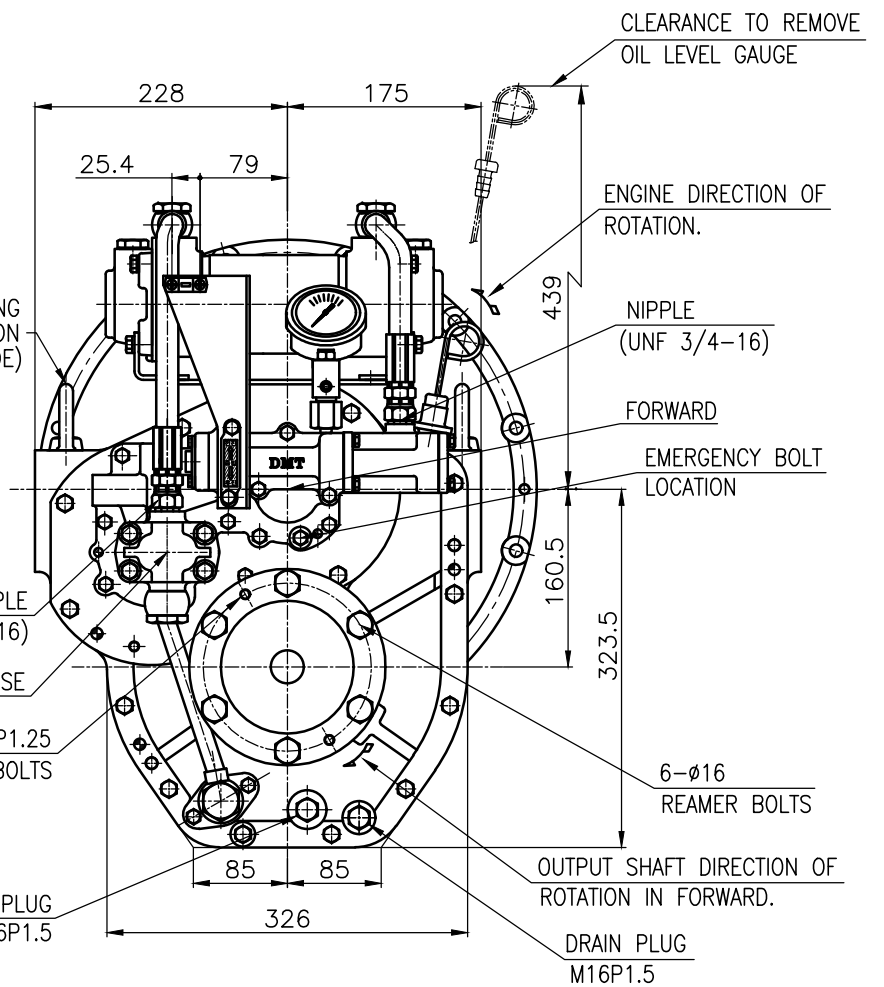


CLEARANCE TO REMOVE MAGNET PLUG

EYEBOLT FOR LIFTING MARINE TRANSMISSION (2-BOLTS ONE EACH SIDE)

NIPPLE (UNF 3/4-16)  
 REVERSE  
 2-M10P1.25 FOR JACK BOLTS

MAGNET PLUG M16P1.5



공통공차 TOLERANCE ON				번호 NO.	품 PART NO.	품 PART NAME	개수 QTY	재 MATERIAL	규 SIZE	비 REMARKS
분수 FRACTIONS	소수 DECIMALS	각도 ANGLES	±				형 TYPE	DMT90A		
±	±	±		MATERIAL			명 NAME	MARINE TRANSMISSION		
1 초과 4 이하 ±0.3 ±0.1 ±0.05 4 16 ±0.5 ±0.2 ±0.07 16 63 ±0.7 ±0.3 ±0.1 63 250 ±1.2 ±0.5 ±0.2 250 1000 ±2.0 ±0.8 ±0.3				작성 DATE 2018.09.12 승인 APPROVED BY JK.Kim 검토 CHECKED BY TH.Cha 제도 DRAWN GH.Park 설계 DESIGNED		척도 SCALE N/S 도 DWG. NO. 090000GA~F-3115DCH	개형 (REV.) 000	크기 SIZE A 3 코드 번호 CODE ID. NO.		
<b>D-I INDUSTRIAL</b>										