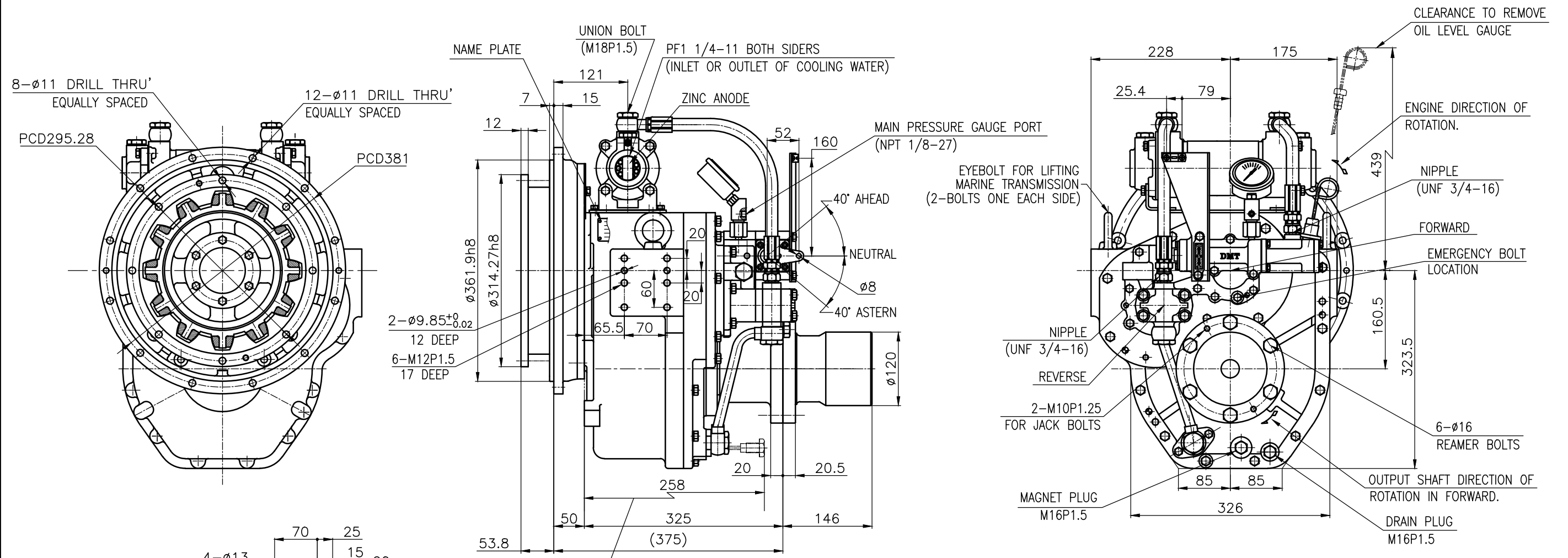
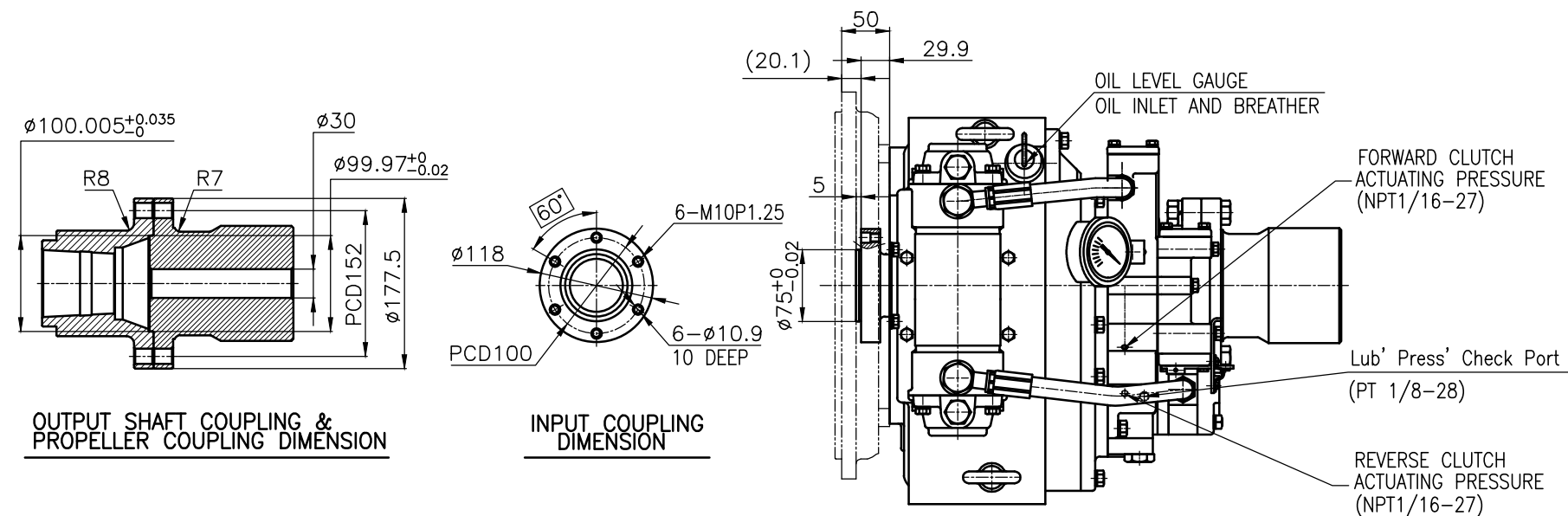
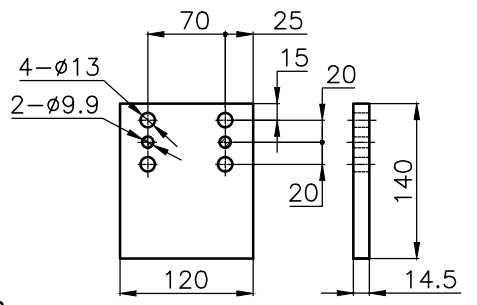


DMT90A MARINE TRANSMISSION SPECIFICATION		
GEAR RATIO	1.61, 2.06, 2.45, 2.82, 3.12, 3.46	
TOTAL WEIGHT	APPROX 159 kg(DRY)	
OIL CAPACITY	APPROX. 3.5 L	
OIL VISCOSITY	SAE # 30	
OIL PRESSURE	1.96 ~ 2.54 MPa	CLUTCH OIL
DIRECTION OF ROTATION	INPUT	C.C.W VIEWED FROM THE STERN
	OUTPUT	C.W VIEWED FROM THE STERN
OIL CHANGE INTERVAL	THE FIRST 100HOURS OF INITIAL OPERATION AND EVERY 1000HOURS THEREAFTER	
SHIFTING LIMIT	UNDER 50% OF THE RATED ENGINE SPEED	
OIL COOLER	WATER FLOW 40 ~ 60 L/min	
	TEMPERATURE OF COOLING WATER MAX 32 °C	
OPERATING TORQUE OF SHIFTING LEVER	UNDER 2.94Nm	



REMARK (HOT)

- HOUSING: SAE#4
- DRIVING RING: SAE 10"
- COUPLING TYPE : RUBBER
- APPLICATION ENGINE : STANDARD



공통공차 TOLERANCE ON				번호 NO.	품 PART NO.	품 PART NAME	개수 QTY	재 MATERIAL	규 SIZE	비 REMARKS																																									
분수 FRACTIONS	소수 DECIMALS	각도 ANGLES	공차 TOLERANCE																																																
\pm	\pm	\pm	\pm																																																
<table border="1"> <tr> <th>일</th> <th>구</th> <th>분</th> <th>조</th> <th>공</th> <th>차</th> </tr> <tr> <td>1</td> <td>초</td> <td>과</td> <td>4</td> <td>이</td> <td>하</td> </tr> <tr> <td>4</td> <td>16</td> <td>± 0.3</td> <td>± 0.1</td> <td>± 0.05</td> <td></td> </tr> <tr> <td>4</td> <td>16</td> <td>± 0.5</td> <td>± 0.2</td> <td>± 0.07</td> <td></td> </tr> <tr> <td>16</td> <td>63</td> <td>± 0.7</td> <td>± 0.3</td> <td>± 0.1</td> <td></td> </tr> <tr> <td>63</td> <td>250</td> <td>± 1.2</td> <td>± 0.5</td> <td>± 0.2</td> <td></td> </tr> <tr> <td>250</td> <td>1000</td> <td>± 2.0</td> <td>± 0.8</td> <td>± 0.3</td> <td></td> </tr> </table>				일	구	분	조	공	차	1	초	과	4	이	하	4	16	± 0.3	± 0.1	± 0.05		4	16	± 0.5	± 0.2	± 0.07		16	63	± 0.7	± 0.3	± 0.1		63	250	± 1.2	± 0.5	± 0.2		250	1000	± 2.0	± 0.8	± 0.3		MATERIAL 2018.09.12 SCALE N/S		TYPE DMT90A		ORIGINAL DWG. NO.	
일	구	분	조	공	차																																														
1	초	과	4	이	하																																														
4	16	± 0.3	± 0.1	± 0.05																																															
4	16	± 0.5	± 0.2	± 0.07																																															
16	63	± 0.7	± 0.3	± 0.1																																															
63	250	± 1.2	± 0.5	± 0.2																																															
250	1000	± 2.0	± 0.8	± 0.3																																															
APPROVED BY JK.Kim CHECKED BY TH.Cha DRAWN GH.Park DESIGNED				NAME MARINE TRANSMISSION		DWG. NO. 090000GA~F-410RCH		개형(REV.) 000																																											
D-I INDUSTRIAL				SIZE A 3		코드 번호 CODE ID. NO.																																													