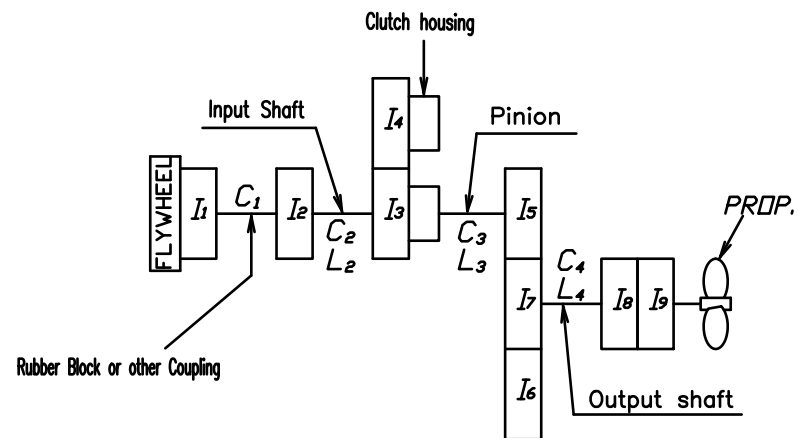
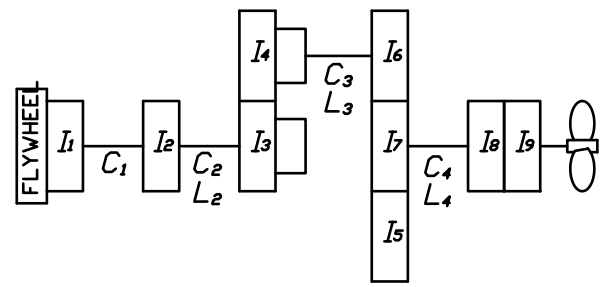


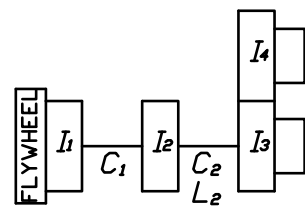
Counter Enginewise Rotation



Enginewise Rotation



Neutral



- REMARK
1.  $I_{\alpha}$  = Moment of inertia [kg.m<sup>2</sup>]
  2.  $d_o$  = MIN, Shaft DIA. [mm]
  3. L = Equivalent length (Calculated as shaft DIA. of 187.2mm [mm])
  4. Stiffness Unit (  $C_n$  ) [MNm/rad]

Centa Flexible Coupling		Model : CFR-5201 SIZE 0-16"						
		5%	10%	25%	50%	75%	100%	
Coupling Type 3	$I_1$	Driving ring $I_1$	0.9301	←	←	←	←	←
	$I_2$	Spider $I_{\odot}$	0.5502	←	←	←	←	←
		Input coupling $I_{\oplus}$	0.0314	←	←	←	←	←
	Centa Flexible Coupling	$\oplus + \oplus$ $I_2$	0.5816	←	←	←	←	←
		$C_1$	0.011	0.022	0.064	0.22	0.322	0.425

Part		Gear Ratio						
		3.02	3.28	3.56	4.07	4.48	4.95	
$I_5, I_6$	Teeth No.	34	32	30	27	25	23	
	$L_3$	930	981	1052	1,230	1,615	1,867	
	$d_o$	119.0	←	←	←	←	←	
	Pinion $I_{\odot}$	0.0852	0.0691	0.0555	0.0389	0.0302	0.0248	
	Disc $I_{\oplus}$	0.0193	←	←	←	←	←	
Pinion + Disc Plate	$\oplus + \oplus$ $I_5$	0.1045	0.0884	0.0748	0.0582	0.0495	0.0441	
	$C_3$	10.5408	10.0011	9.3216	7.9707	6.0727	5.2529	
	$I_7$ Wheel	Teeth No.	103	105	107	110	112	114
		$I_7$	3.6428	4.0797	4.5435	4.4376	4.9570	5.5105
$I_3$ Clutch Housing Assy [Ahead parts]	Teeth No.	44	←	←	←	←	←	
	OH/Piston/Plate $I_{\odot}$	0.1713	←	←	←	←	←	
	Sinterd $I_{\oplus}$	0.0225	←	←	←	←	←	
	$\oplus + \oplus$ $I_3$	0.1938	←	←	←	←	←	
$I_4$ Clutch Housing Assy [Astern parts]	Teeth No.	44	←	←	←	←	←	
	OH/Piston/Plate $I_{\odot}$	0.1713	←	←	←	←	←	
	Sinterd $I_{\oplus}$	0.0225	←	←	←	←	←	
	$\oplus + \oplus$ $I_4$	0.1938	←	←	←	←	←	
$I_8$ Output Coupling	$I_8$	0.4534	←	←	←	←	←	
	$I_9$ Companion Coupling	$I_9$	0.4961	←	←	←	←	
Input Shaft	$L_2$	10,565	←	←	←	←	←	
	$d_o$	77.50	←	←	←	←	←	
	$C_2$	0.9282	←	←	←	←	←	
Output Shaft	$L_4$	1,521.4	←	←	←	←	←	
	$d_o$	139.04	←	←	←	←	←	
	$C_4$	6.4455	←	←	←	←	←	

MATERIAL				TYPE		ORIGINAL DWG. NO.	
DATE		SCALE		NAME		DMT561HL	
2016.11.26		KS, Han		MASS ELASTIC SYSTEM			
APPROVED BY	CHECKED BY	DRAWN	DESIGNED	DWG. NO.		REV.	
Kim J. Hwang		KS, Han		5 6 1 0 0 0-2		001	
D-I IND CO., LTD.				SIZE		CODE ID. NO.	
				A0			