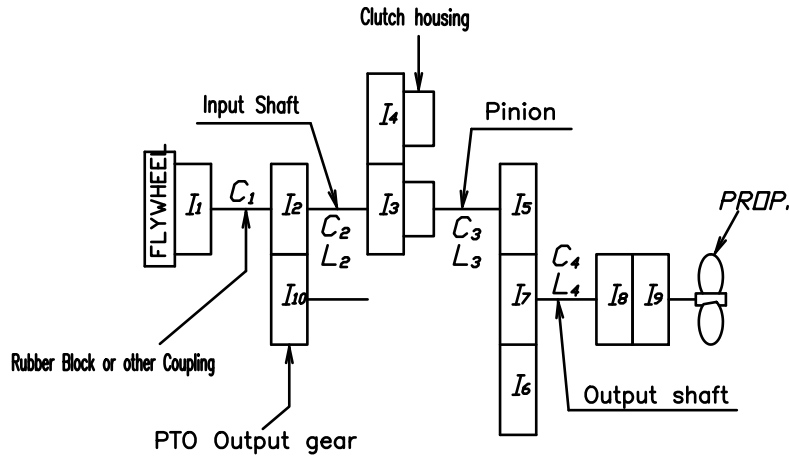
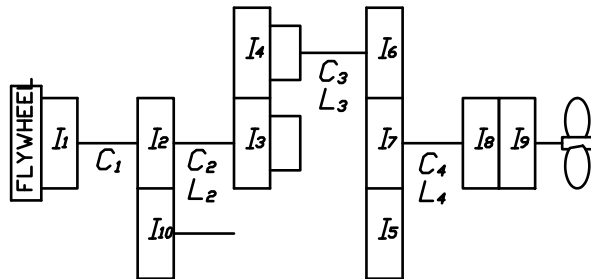


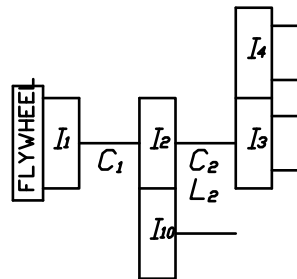
Counter Enginewise Rotation



Enginewise Rotation



Neutral



REMARK

1. I_{α} = Moment of inertia [kg.m²]
2. d_o = MIN, Shaft DIA. [mm]
3. L = Equivalent length (Calculated as shaft DIA. of 187.2mm) [mm]
4. Stiffness Unit (C_n) [MNm/rad]

OPTION 1

Coupling Type		[Model : CFR-216] SAE# 1-14"					
		5%	10%	25%	50%	75%	100%
Flexible Coupling	Driving ring I_1	0.1382	←	←	←	←	←
	Spider I_{\odot}	0.0293	←	←	←	←	←
	Input Coupling PTO Gear I_{\oplus}	0.0106	←	←	←	←	←
	$\oplus + \odot$ I_2	0.0339	←	←	←	←	←
C_1		0.0025	0.005	0.0065	0.021	0.044	0.067

Coupling Type		Rubber Block Coupling		Dual stage Coupling	
		SAE#2,3-11.5"	SAE#1-14"	SAE#2,3-11.5"	SAE#1-14"
Coupling	Driving ring I_1	0.1494	0.6188	0.1434	0.4537
	Spider I_{\odot}	0.0489	0.1417	0.0356	0.1506
	Input Coupling PTO Gear I_{\oplus}	0.0106	0.0106	0.0106	0.0106
	$\oplus + \odot$ I_2	0.0595	0.1523	0.0462	0.1612
C_1		2.06	2.06	2.06	2.06

Part		Gear Ratio					
		1.47	1.76	1.93	2.48	3.08	3.46
I_5, I_6 Pinion	Teeth No.	38	34	32	27	23	28
	L_3	3,158	3,233	3,291	3,565	5,949	6,527
	d_o	79.4	←	←	←	←	←
	$I_{5,6}$	0.0272	0.0165	0.0136	0.0080	0.0050	0.0039
	C_3	3.1051	3.0332	2.9795	2.7507	1.6484	1.5025
I_7 Wheel	Teeth No.	56	60	62	67	71	97
	I_7	0.0715	0.0922	0.0980	0.1745	0.2293	0.2125
I_3 Clutch Housing Assy [Ahead parts]	Teeth No.	39	←	←	←	←	←
	Clutch Plate Sided I_{\odot}	0.0391	←	←	←	←	←
	Disc Plate I_{\oplus}	0.0036	←	←	←	←	←
I_4 Clutch Housing Assy [Astern parts]	Teeth No.	39	←	←	←	←	←
	Clutch Plate Sided I_{\oplus}	0.0391	←	←	←	←	←
	Disc Plate I_{\odot}	0.0036	←	←	←	←	←
I_8 Output Coupling	$\oplus + \odot$ I_4	0.0427	←	←	←	←	←
	I_8	0.0364	←	←	←	←	←
	I_9	0.0530	←	←	←	←	←
I_9 Companion Coupling	L_2	48.466	←	←	←	←	←
	d_o	47.95	←	←	←	←	←
	C_2	0.2023	←	←	←	←	←
Input Shaft	L_4	5,790	←	←	←	←	←
	d_o	84	←	←	←	←	←
	C_4	1.6937	←	←	←	←	←

I_{10} PTO output gear	Teeth No.	45	←	←	←	←	←
	I_{10}	0.0057	←	←	←	←	←

MATERIAL				TYPE		ORIGINAL DWG. NO.	
DATE 2008.06.04		SCALE		DMTP5100			
APPROVED BY	CHECKED BY	DRAWN	DESIGNED	NAME			
Kim Jinyoung	광수	준희		MASS ELASTIC SYSTEM			
				DWG. NO.		REV.	
				5 1 0 0 0 0-2		003	
D-I IND CO., LTD.				SIZE		CODE ID. NO.	
				A			