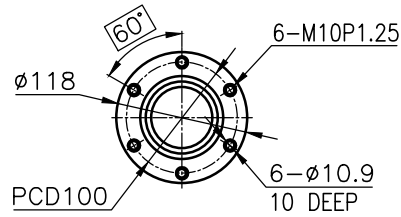
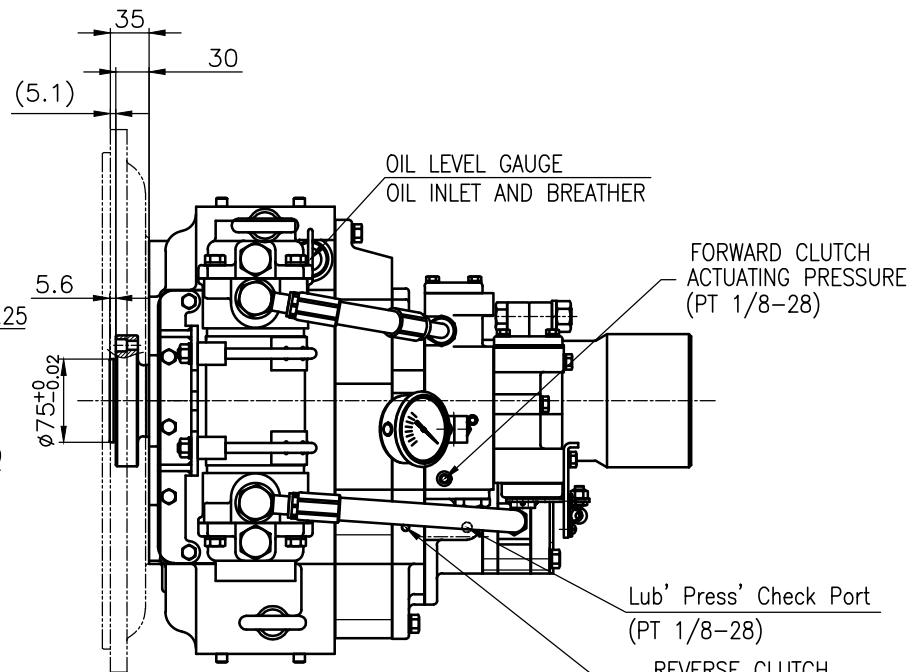


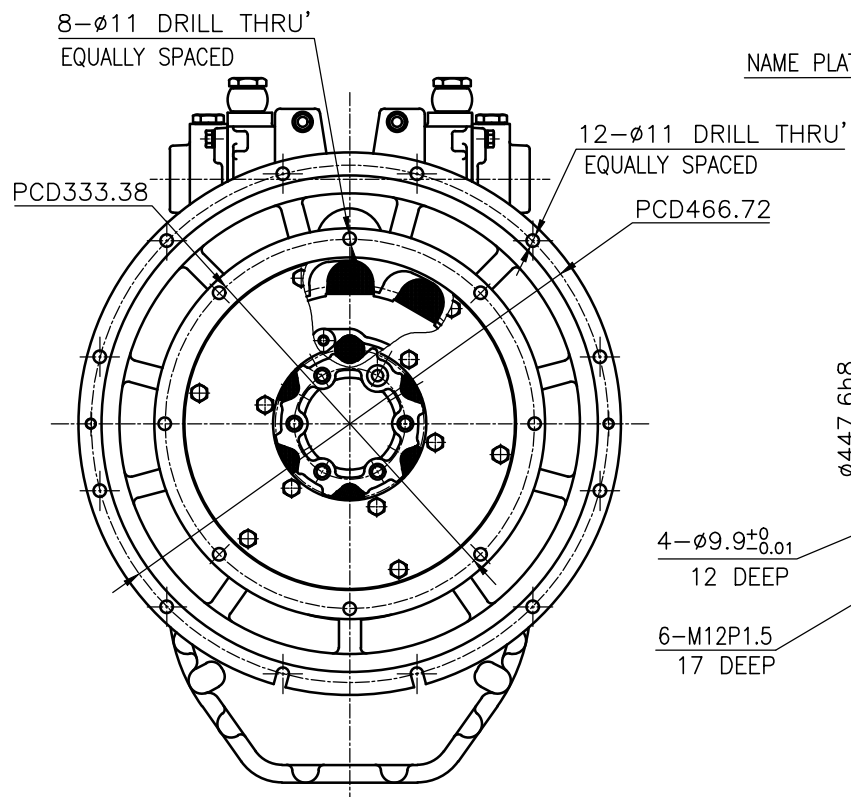
OUTPUT SHAFT COUPLING & PROPELLER COUPLING DIMENSION



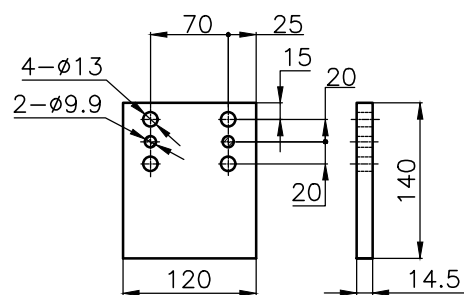
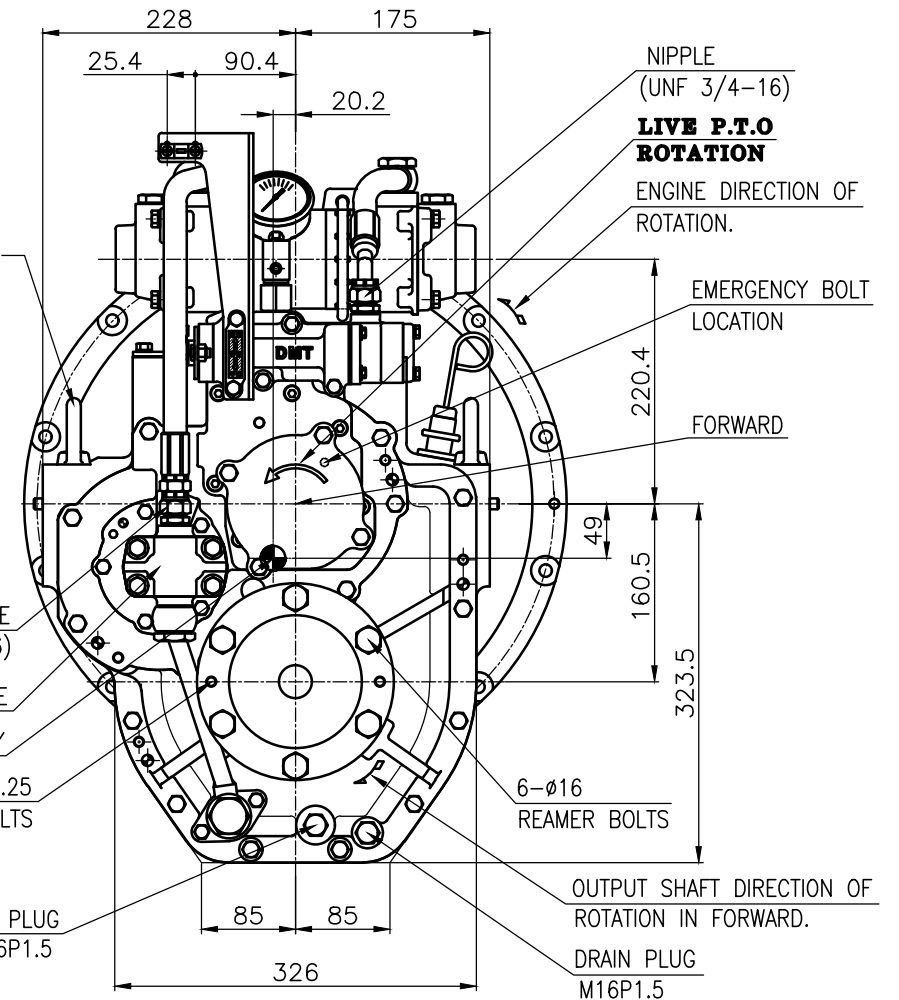
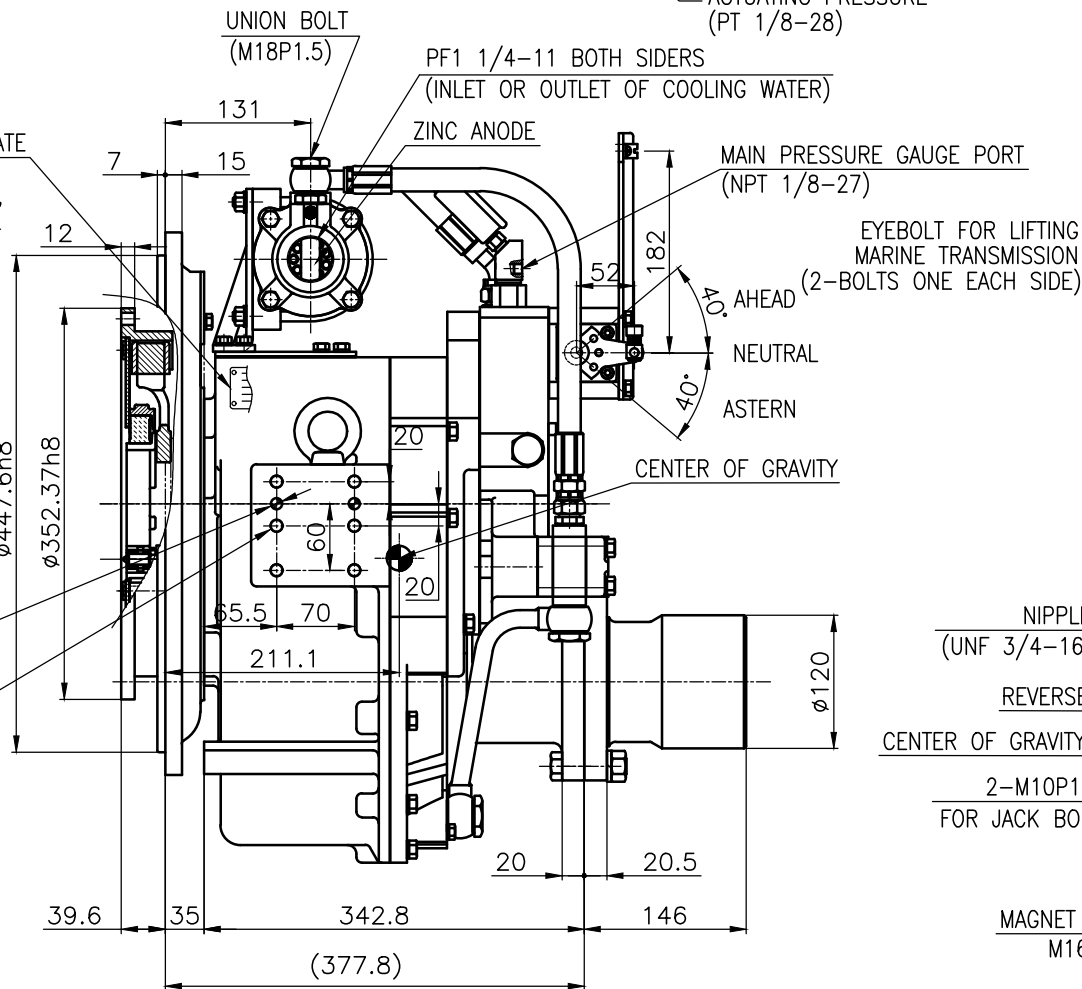
INPUT COUPLING DIMENSION



DMT95H MARINE TRANSMISSION SPECIFICATION	
GEAR RATIO	1.64, 2.02, 2.43, 2.81, 3.12, 3.47
TOTAL WEIGHT	APPROX 199kg(DRY) (DRY, EXCEPT FOR PROPELLER COUPLING, P coupling weight 13.5kg)
OIL CAPACITY	APPROX. 4L
OIL VISCOSITY	SAE # 30
OIL PRESSURE	1.96 ~ 2.54 MPa CLUTCH OIL
DIRECTION OF ROTATION	INPUT C.C.W VIEWED FROM THE STERN OUTPUT C.W VIEWED FROM THE STERN
OIL CHANGE INTERVAL	THE FIRST 100HOURS OF INITIAL OPERATION AND EVERY 1000HOURS THEREAFTER
SHIFTING LIMIT	UNDER 50% OF THE RATED ENGINE SPEED
OIL COOLER	WATER FLOW 40 ~ 60 L/min TEMPERATURE OF COOLING WATER MAX 32 °C
OPERATING TORQUE OF SHIFTING LEVER	UNDER 2.94Nm



4-ø9.9<sup>+0</sup><sub>-0.01</sub>  
12 DEEP  
6-M12P1.5  
17 DEEP



BRACKET DIMENSION

- REMARK
- HOUSING: SAE#2
  - DRIVING RING: SAE 11.5"
  - COUPLING TYPE : DUAL STAGE
  - APPLICATION ENGINE : STANDARD

공용공차 TOLERANCE ON		번호 NO.	품 PART NO.	품 PART NAME	개수 QTY	재 MATERIAL	규 SIZE	비 REMARKS
분수 FRACTIONS	소수 DECIMALS	각도 ANGLES	MATERIAL		형 식 TYPE	원 도 번 ORIGINAL DWG. NO.		
±	±	±	작 성 DATE 2021.10.08	척 도 SCALE N/S	품 명 NAME MARINE TRANSMISSION	계 형 (REV.) 000		
± 0.05	± 0.1	± 0.1	승 인 인 BY JK.KIM	검 도 CHECKED BY KS.han	도 DWG. NO. 095000GA~F-2115DCH	코 드 번 호 CODE ID. NO.		
± 0.07	± 0.2	± 0.1	제 도 DRAWN	설 계 DESIGNED	D-I INDUSTRIAL			
± 0.1	± 0.3	± 0.1	D-I INDUSTRIAL		SHEET 1 OF 1			
± 0.2	± 0.5	± 0.2	D-I INDUSTRIAL		841x594			
± 0.3	± 0.8	± 0.3	D-I INDUSTRIAL		841x594			