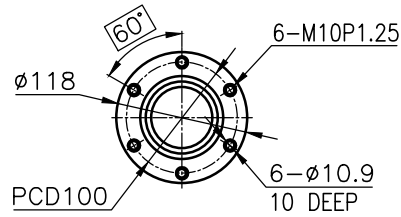
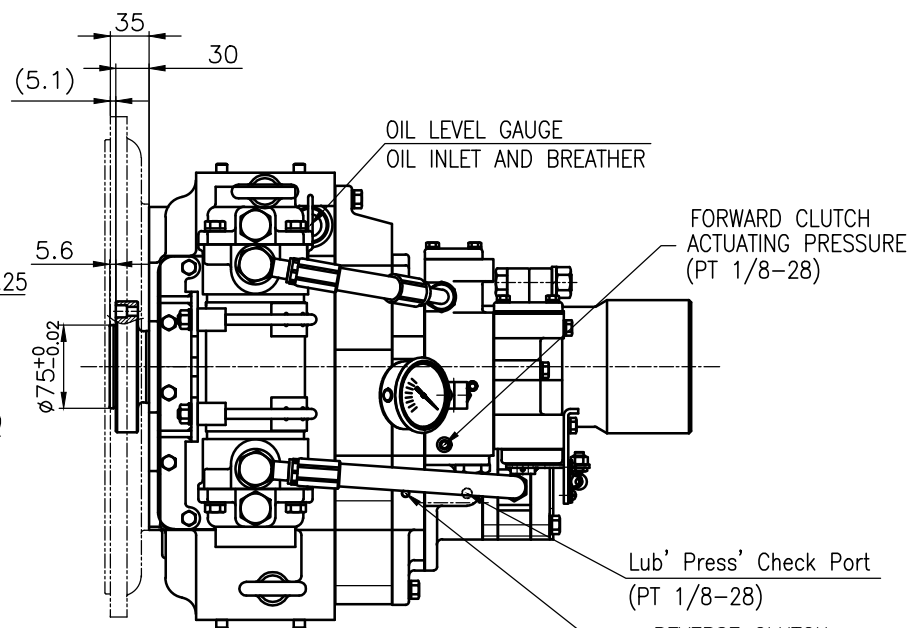


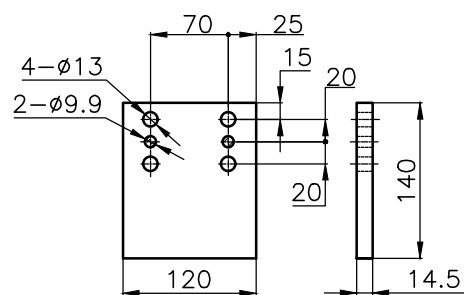
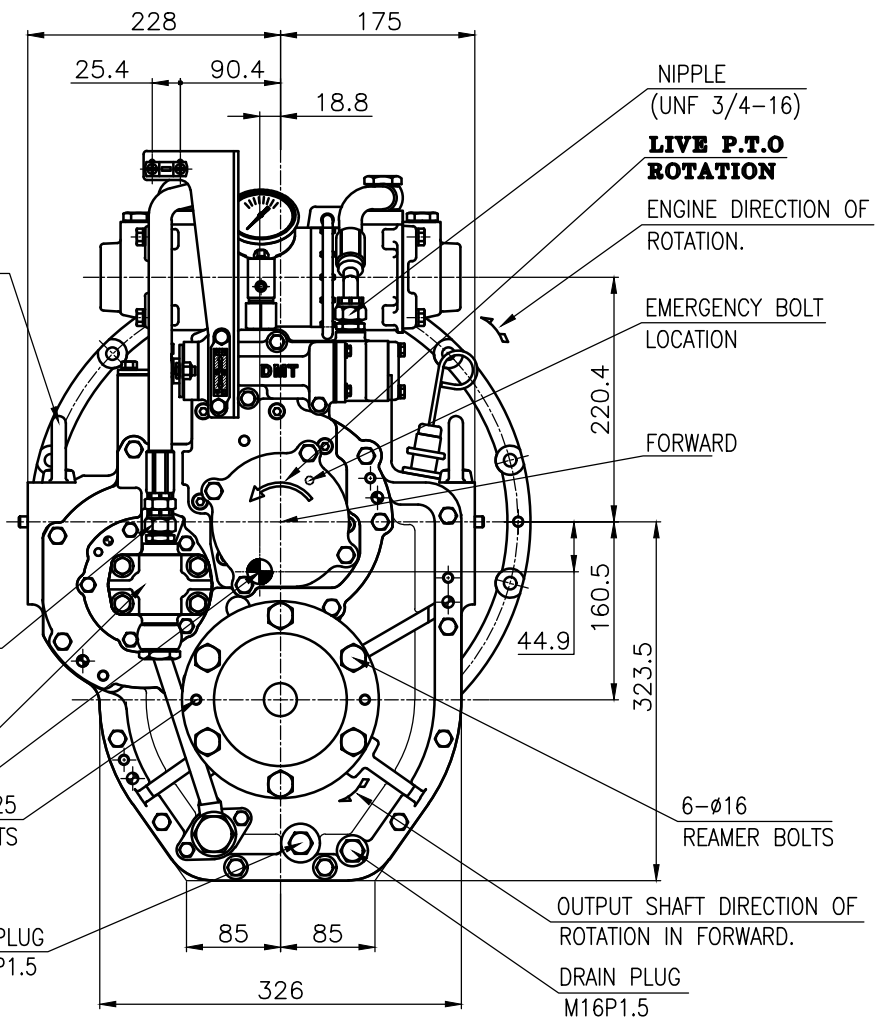
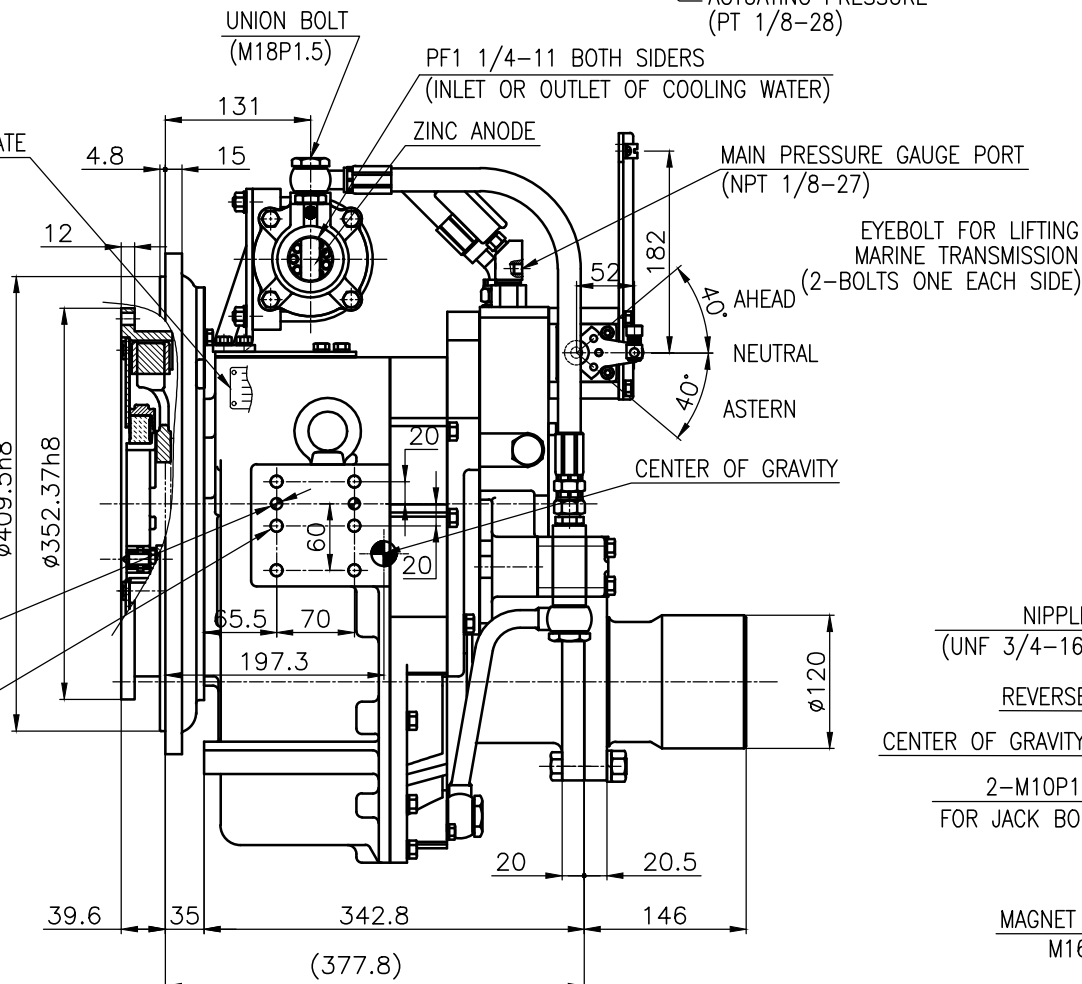
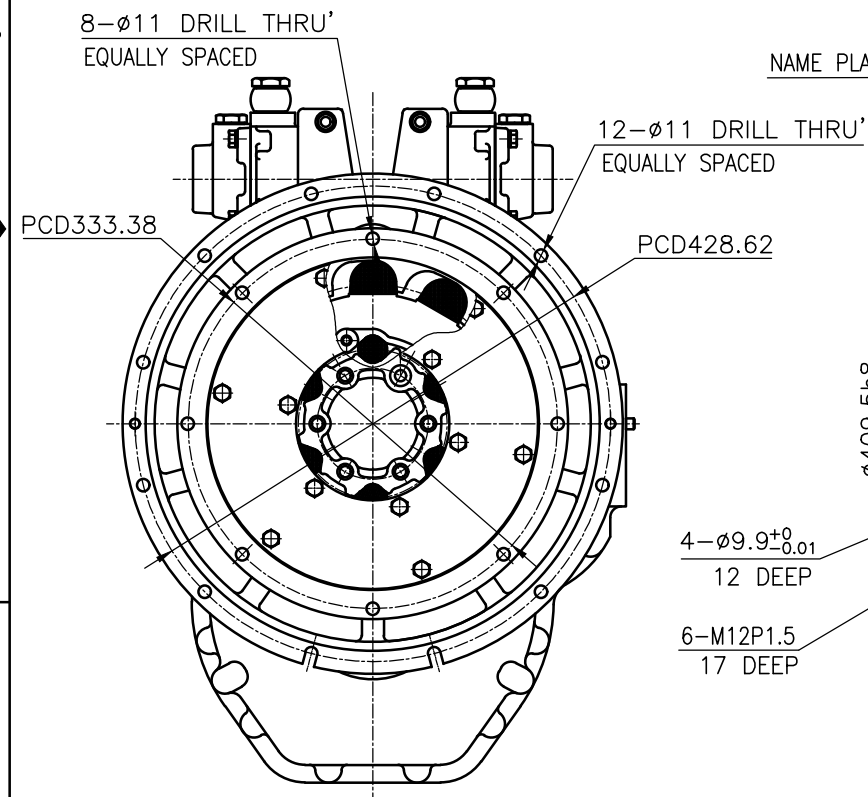
OUTPUT SHAFT COUPLING & PROPELLER COUPLING DIMENSION



INPUT COUPLING DIMENSION



DMT95H MARINE TRANSMISSION SPECIFICATION	
GEAR RATIO	1.64, 2.02, 2.43, 2.81, 3.12, 3.47
TOTAL WEIGHT	APPROX 197kg(DRY) (DRY, EXCEPT FOR PROPELLER COUPLING, PPcoupling weight 13.5kg)
OIL CAPACITY	APPROX. 4L
OIL VISCOSITY	SAE # 30
OIL PRESSURE	1.96 ~ 2.54 MPa CLUTCH OIL
DIRECTION OF ROTATION	INPUT C.C.W VIEWED FROM THE STERN OUTPUT C.W VIEWED FROM THE STERN
OIL CHANGE INTERVAL	THE FIRST 100HOURS OF INITIAL OPERATION AND EVERY 1000HOURS THEREAFTER
SHIFTING LIMIT	UNDER 50% OF THE RATED ENGINE SPEED
OIL COOLER	WATER FLOW 40 ~ 60 L/min TEMPERATURE OF COOLING WATER MAX 32 °C
OPERATING TORQUE OF SHIFTING LEVER	UNDER 2.94Nm



BRACKET DIMENSION

- REMARK
- HOUSING: SAE#3
 - DRIVING RING: SAE 11.5"
 - COUPLING TYPE : DUAL STAGE
 - APPLICATION ENGINE : STANDARD

공통공차 TOLERANCE ON			번호 NO.	품 PART NO.	변 PART NAME	개수 QTY	재 MATERIAL	규 SIZE	비 REMARKS	
분수 FRACTIONS	소수 DECIMALS	각도 ANGLES	제 MATERIAL		형 식 TYPE	DMT95H		원 도 번 ORIGINAL DWG. NO.		
±	±	±	작 성 DATE 2021.10.08	척 도 SCALE N/S	품 명 NAME	MARINE TRANSMISSION		개 정 (REV.)		
± 0.05	± 0.05	± 0.05	승 인 APPROVED BY JK.KIM	검 도 CHECKED BY KS.han	제 도 DRAWN KC.YOON	설 계 DESIGNED	도 번 DWG. NO. 095000GA~F-3115DCH		000	
± 0.05	± 0.07	± 0.1	D-I INDUSTRIAL		크 기 SIZE	A 3	코 드 번 호 CODE ID. NO.			
± 0.07	± 0.1	± 0.1								SHEET 1 OF 1
± 0.1	± 0.2	± 0.2								841x594
± 0.2	± 0.2	± 0.2								
± 0.2	± 0.3	± 0.3								
± 0.3	± 0.4	± 0.4								
± 0.4	± 0.5	± 0.5								
± 0.5	± 0.6	± 0.6								
± 0.6	± 0.7	± 0.7								
± 0.7	± 0.8	± 0.8								
± 0.8	± 0.9	± 0.9								
± 0.9	± 1.0	± 1.0								
± 1.0	± 1.1	± 1.1								
± 1.1	± 1.2	± 1.2								
± 1.2	± 1.3	± 1.3								
± 1.3	± 1.4	± 1.4								
± 1.4	± 1.5	± 1.5								
± 1.5	± 1.6	± 1.6								
± 1.6	± 1.7	± 1.7								
± 1.7	± 1.8	± 1.8								
± 1.8	± 1.9	± 1.9								
± 1.9	± 2.0	± 2.0								