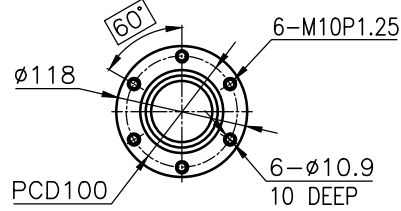
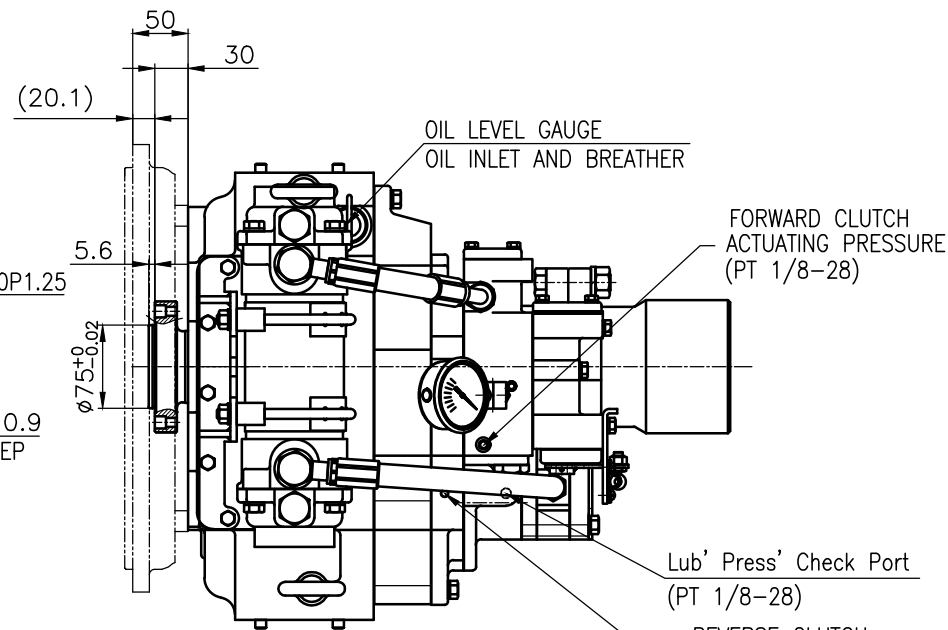


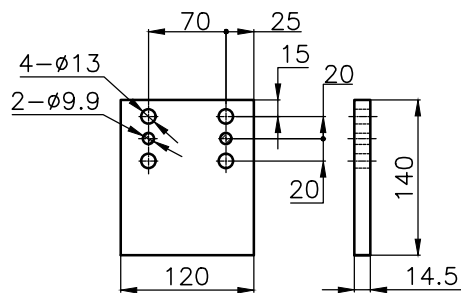
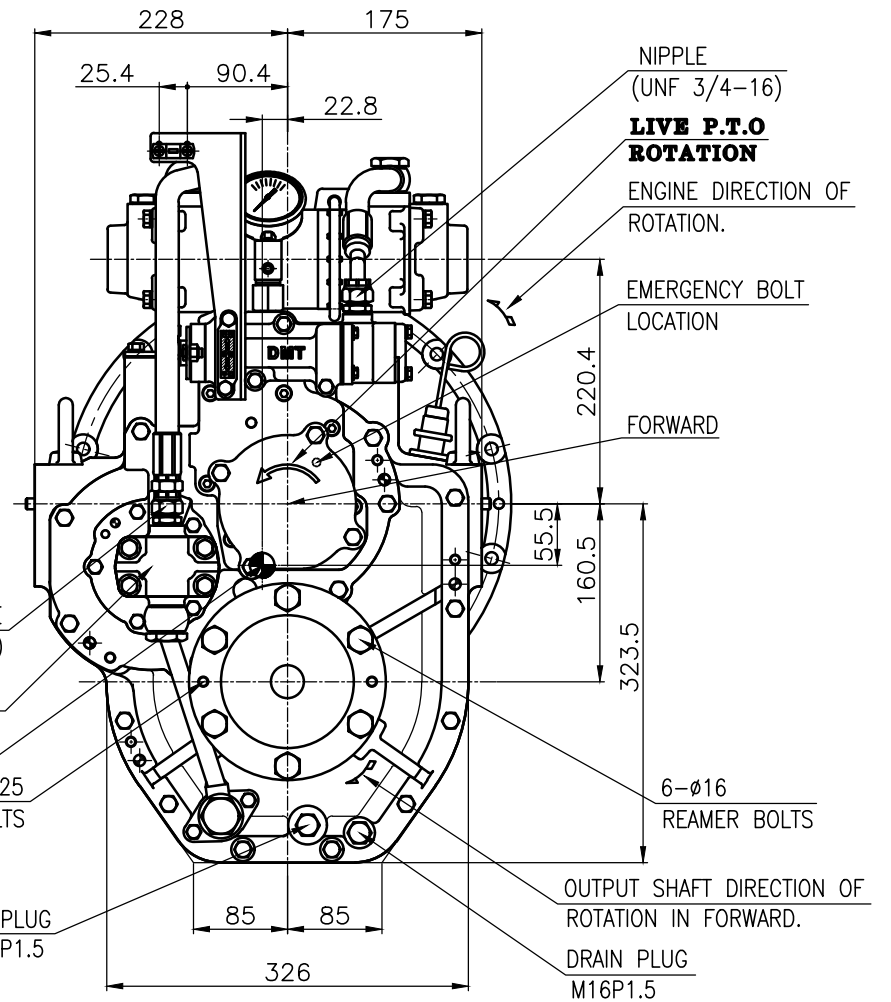
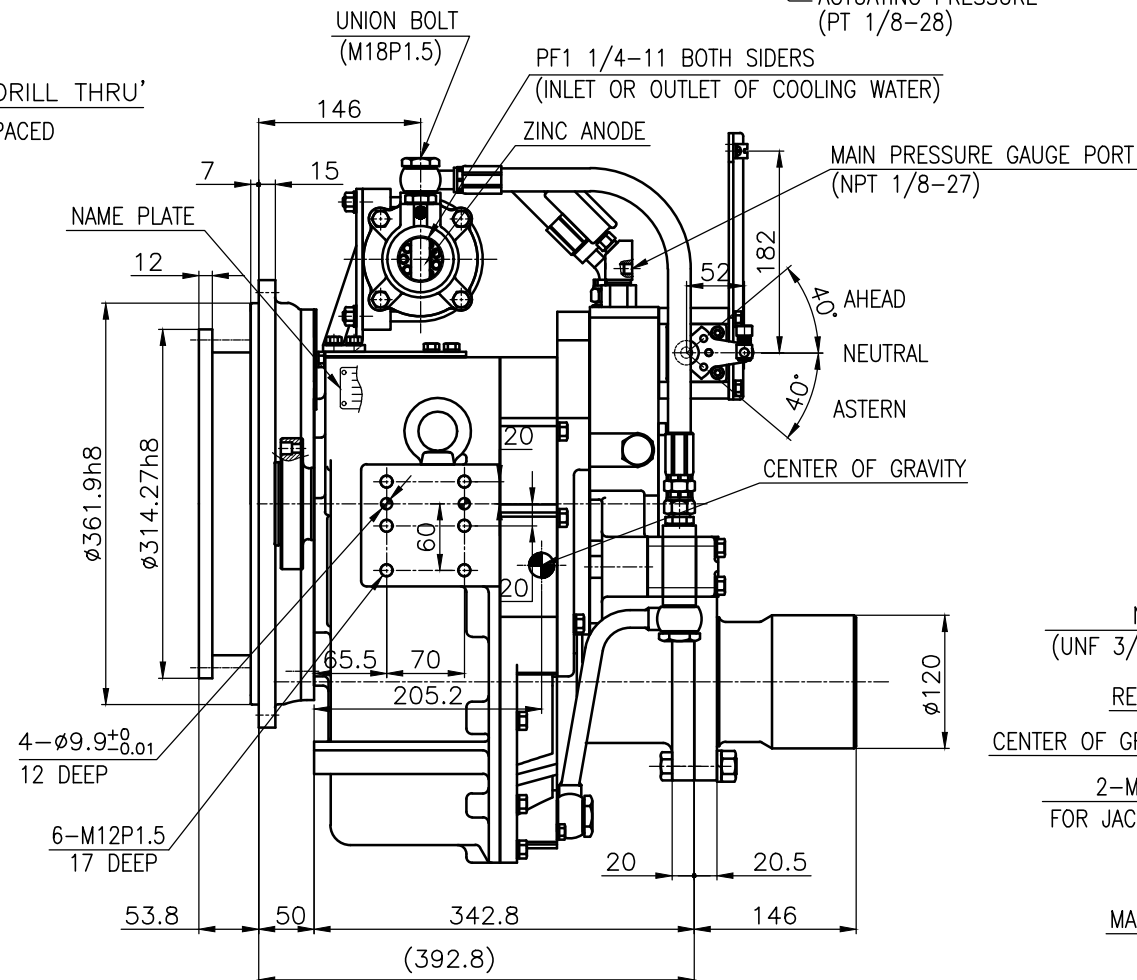
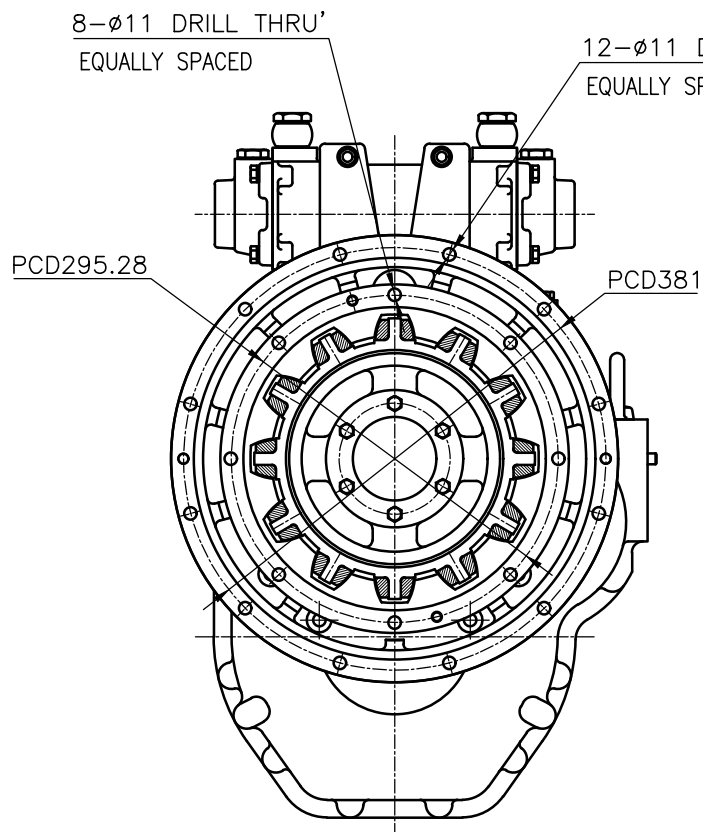
OUTPUT SHAFT COUPLING & PROPELLER COUPLING DIMENSION



INPUT COUPLING DIMENSION



DMT95H MARINE TRANSMISSION SPECIFICATION			
GEAR RATIO	1.64, 2.02, 2.43, 2.81, 3.12, 3.47		
TOTAL WEIGHT	APPROX 185 kg(DRY)		
OIL CAPACITY	APPROX. 4 L		
OIL VISCOSITY	SAE # 30		
OIL PRESSURE	1.96 ~ 2.54 MPa	CLUTCH OIL	
DIRECTION OF ROTATION	INPUT	C.C.W VIEWED FROM THE STERN	
	OUTPUT	C.W VIEWED FROM THE STERN	
OIL CHANGE INTERVAL	THE FIRST 100HOURS OF INITIAL OPERATION AND EVERY 1000HOURS THEREAFTER		
SHIFTING LIMIT	UNDER 50% OF THE RATED ENGINE SPEED		
OIL COOLER	WATER FLOW 40 ~ 60 L/min		TEMPERATURE OF COOLING WATER MAX 32 °C
	OPERATING TORQUE OF SHIFTING LEVER		UNDER 2.94Nm



BRACKET DIMENSION

- REMARK
- 1.HOUSING: SAE#4
  - 2.DRIVING RING: SAE 10"
  - 3.COUPLING TYPE : RUBBER
  - 4.APPLICATION ENGINE : STANDARD

公差表 TOLERANCE ON				번호 NO.	품 PART NO.	변 PART NAME	개수 QTY	재 MATERIAL	규 SIZE	비 REMARKS
분수 FRACTIONS	소수 DECIMALS	각도 ANGLES		MATERIAL			형 식 TYPE	DMT95H		
±	±	±		작성 DATE 2021.11.16 SCALE N/S			품 명 NAME	MARINE TRANSMISSION		
필 식 가 공				승 인 인 APPROVED BY	검 도 CHECKED BY	제 도 DRAWN	설 계 DESIGNED	도 번 DWG. NO.		
1	2	3	4	JK.KIM	KS.han	KC.yoon		095000GA~F-410RCH		
1	4	16	± 0.3 ± 0.1 ± 0.05	D-I INDUSTRIAL			크 기 SIZE	A 3	코 드 번 호 CODE ID. NO.	000
16	63	± 0.7 ± 0.3 ± 0.1								
63	250	± 1.2 ± 0.5 ± 0.2								
250	1000	± 2.0 ± 0.8 ± 0.3								