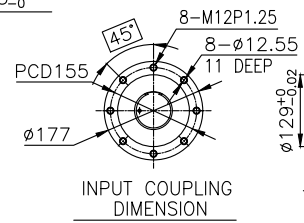
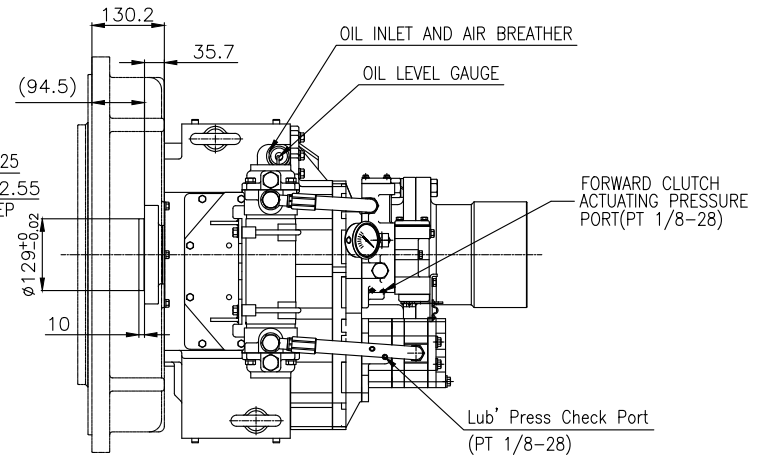


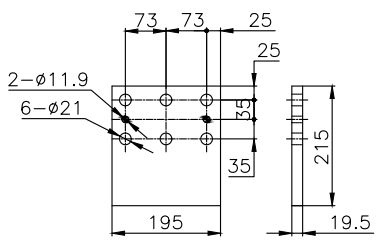
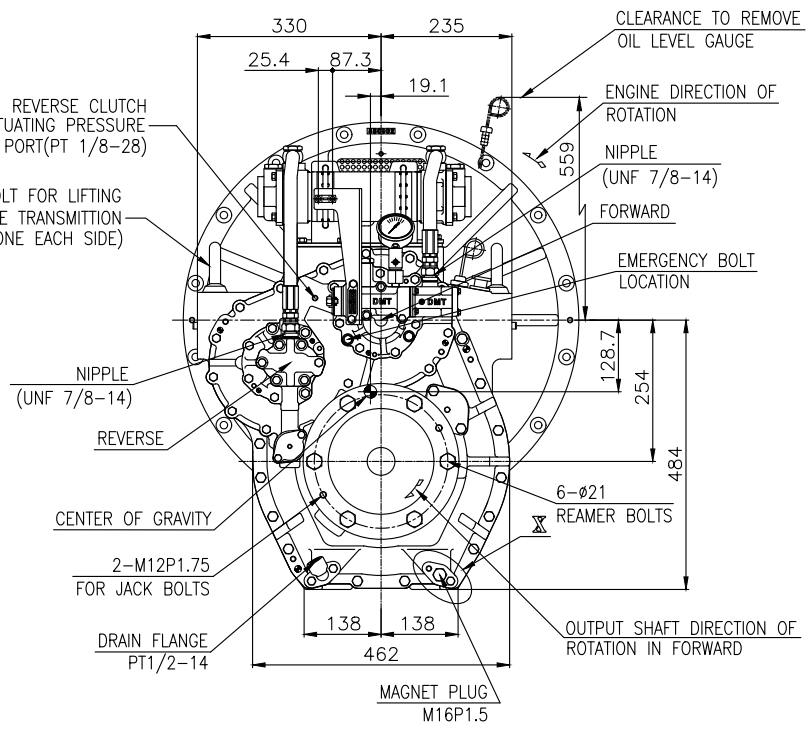
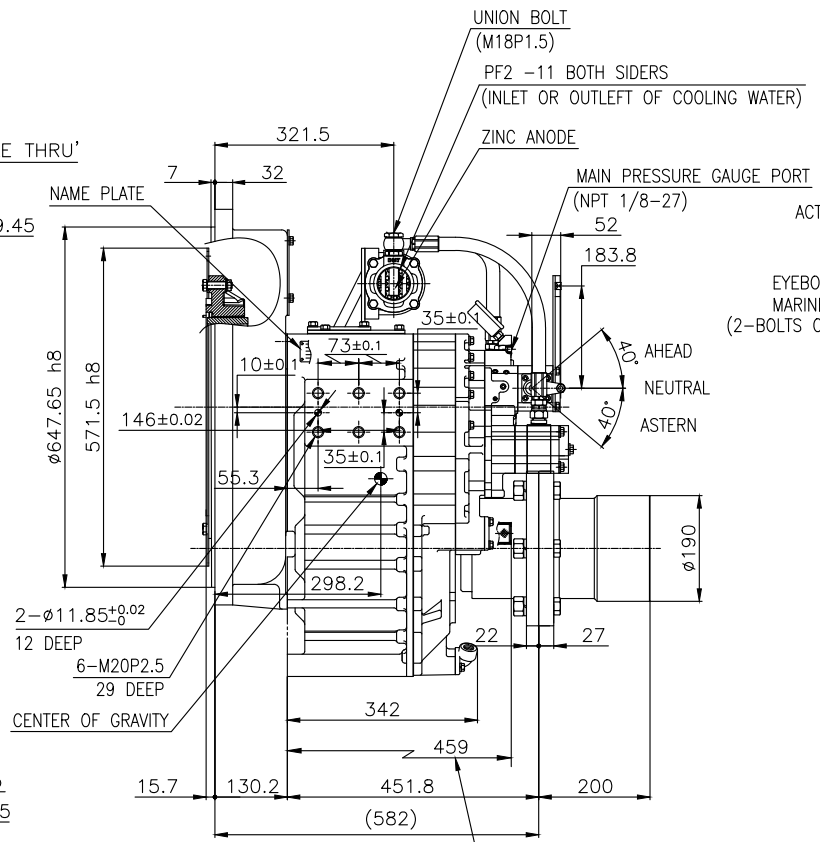
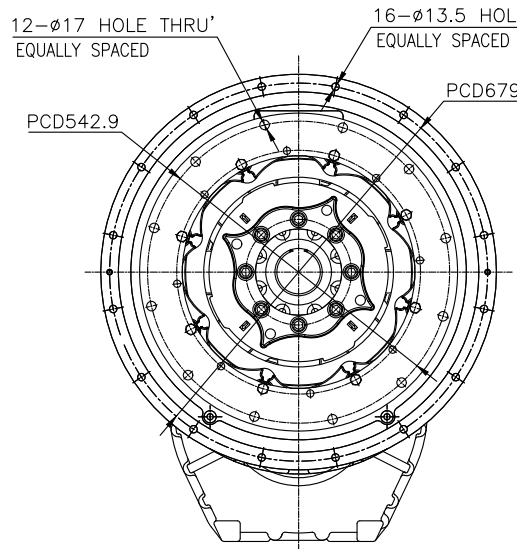
OUTPUT SHAFT COUPLING & PROPELLER COUPLING DIMENSION



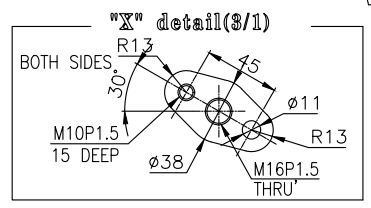
INPUT COUPLING DIMENSION



DMT320H MARINE TRANSMISSION SPECIFICATION	
GEAR RATIO	2.06, 2.50, 2.92, 3.26
TOTAL WEIGHT	APPROX. 492Kg(DRY) (DRY, EXCEPT FOR PROPELLER COUPLING, Ppcoupling weight 45.1kg)
OIL CAPACITY	APPROX. 9 L
OIL VISCOSITY	SAE # 30
OIL PRESSURE	1.96 ~ 2.54 MPa CLUTCH OIL
DIRECTION OF ROTATION	INPUT C.C.W VIEWED FROM THE STERN
	OUTPUT C.W VIEWED FROM THE STERN
OIL CHANGE INTERVAL	THE FIRST 100HOURS OF INITIAL OPERATION AND EVERY 1000HOURS THEREAFTER
SHIFTING LIMIT	UNDER 50% OF THE RATED ENGINE SPEED
OIL COOLER	WATER FLOW 80 ~ 120 L/min
	TEMPERATURE OF COOLING WATER MAX 32°C
OPERATING TORQUE OF SHIFTING LEVER	UNDER 2.94Nm



BRACKET DIMENSION



- REMARK
- 1.HOUSING: SAE#0
 - 2.DRIVING RING: SAE 18"
 - 3.COUPLING TYPE: CENTA Flex Coupling (77268802)

TOLERANCE ON		PART NO.		PART NAME		QTY		MATERIAL		SIZE		REMARKS	
FRACTIONS	DECIMALS	각도	분수	숫자	명칭	수량	재료	규격	비고	원도	비고	원도	비고
±	±	±	±	±	±	±	±	±	±	±	±	±	±
1 초과 4 이하		±0.3	±0.1	±0.05	DATE	SCALE	TYPE		DMT320H		ORIGINAL DWG. NO.		
4		±0.5	±0.2	±0.07	2022.10.11	1/1	MARINE TRANSMISSION		KC.Yoon		계량(REV.)		
16		±0.7	±0.3	±0.1	APPROVED BY	CHECKED BY	DWG. NO.		32000GA~D-018CFR		000		
63		±1.2	±0.5	±0.2	DRAWN DESIGNED		도 번호		32000GA~D-018CFR		000		
250		±2.0	±0.8	±0.3	KC.Yoon		SIZE		A 3		코드 번호		
					D-I INDUSTRIAL		CODE ID. NO.						